

UNIVERSAL

GU27LV

Universal Lavatory Wall Mounted Rough Valve (Used with Cross or Wheel Handle Lavatory Faucets)



SHOWN IN UNIVERSAL LAVATORY WALL MOUNTED ROUGH VALVE (USED WITH CROSS OR WHEEL HANDLE LAVATORY

TECHNICAL DETAILS

Fittings Hole Diameter: 29 mm
Handle Spread Maximum: 203 mm
Handle Spread Minimum: 203 mm
Handle Turn Angle: Quarter Turn
Depth / Width: 152 mm
Height: 70 mm
Inlet Connection Size: 1/2"
Inlet Connection Type: Female G/BSPP
Installation Type: Wall Mounted
Length: 254 mm
Outlet Connection Size: 1/2"
Outlet Connection Type: Female BSP
Primary Material: Brass
Suggested Application: Bath
Valve Material: Ceramic
Water Pressure Maximum: 5.5 bar
Water Pressure Minimum: 1.5 bar
Water Pressure Recommended: 3.0 bar

INSPIRATION

Our Universal collection features timeless designs complementing any of our Waterworks. With a wide range of product, from fittings to accessories, Universal adds exquisite proportion and balance to any environment.

CODES & STANDARDS

Code # : ASME A112.18.1 / CSA B125.1, State of MA, UL

PRODUCT FEATURES

This hot and cold cartridge rough is for use with Waterworks wall mounted faucets

1/2" NPT male inlet and 1/2" NPT female outlet, with quarter turn functionality

Made of brass materials

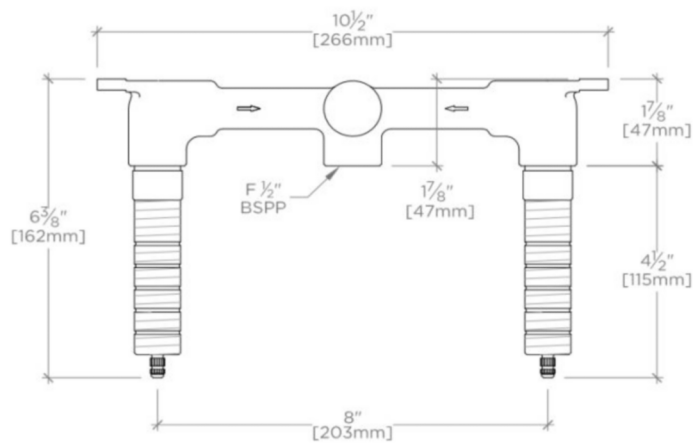
6 gpm unrestricted maximum flow at 45 psi

Available option that complies with 0.25% Weighted Average Lead Content (WALC).

UNIVERSAL

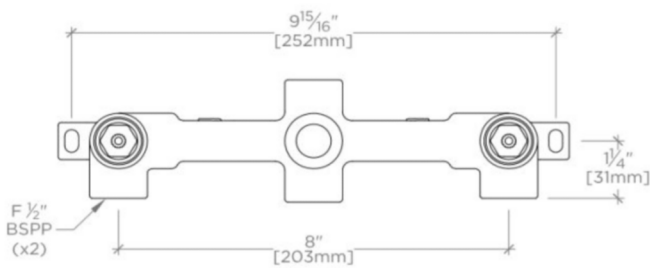
GU27LV

Universal Lavatory Wall Mounted Rough Valve (Used with Cross or Wheel Handle Lavatory Faucets)



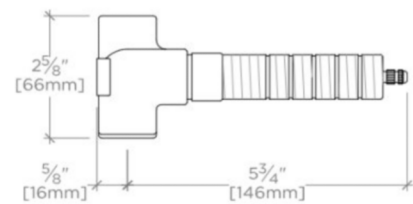
TOP VIEW

SCALE: 3"=1'-0"



FRONT VIEW

SCALE: 3"=1'-0"



SIDE VIEW

SCALE: 3"=1'-0"