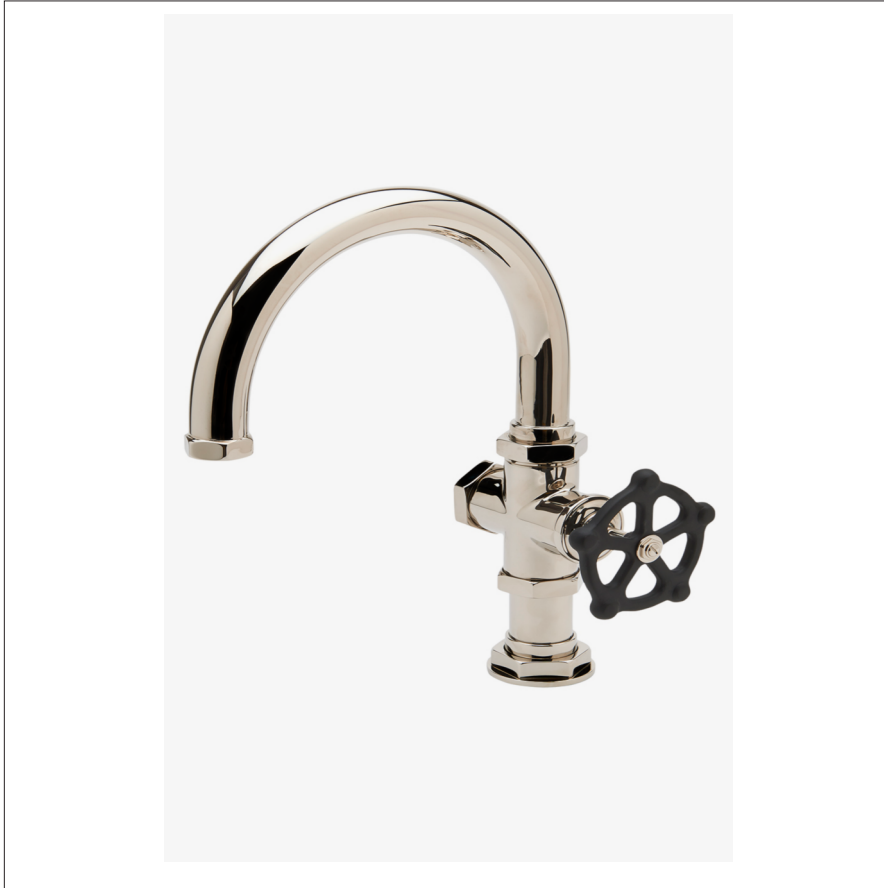


## REGULATOR

RG01KM

Regulator One Hole Gooseneck Bar Faucet, Black Wheel Handle



SHOWN IN REGULATOR ONE HOLE GOOSENECK BAR FAUCET, BLACK WHEEL HANDLE | RGKM01

### TECHNICAL DETAILS

Deck Thickness Maximum: 52 mm  
Deck Thickness Minimum: 6 mm  
Fittings Hole Diameter: 44 mm  
Handle Turn Angle: Quarter Turn  
Depth / Width: 268 mm  
Height: 318 mm  
Inlet Connection Size: 3/8"  
Inlet Connection Type: Female BSPP  
Length: 122 mm  
Spout Swivel: Y  
Water Pressure Maximum: 5.5 bar  
Water Pressure Minimum: 1.5 bar  
Water Pressure Recommended: 3.0 bar

### INSPIRATION

A play on industrial controls from the early 1900s, when pride was lavished on parts. Translated to handcrafted, fittings project rugged beauty through powerful, detailed shapes.

### PRODUCT FEATURES

Progressive Control. When the wheel handle is rotated the flow of cold water begins; continue rotating activates the mixing by adding hot water; at the end of the rotation, only hot water flows. Full rotation is a quarter turn  
8" Gooseneck Swivel Spout

# WATERWORKS

## REGULATOR

RG01KM

Regulator One Hole Gooseneck Bar Faucet, Black Wheel Handle

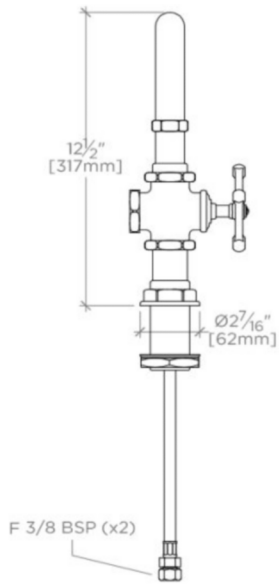
ADAPTER(S) PACKAGED SEPARATELY		
ADAPTER	DESCRIPTION	QTY
UNUK08	Universal 9/16"-24 UNEF Male x 3/8" Female BSP Adapter	2



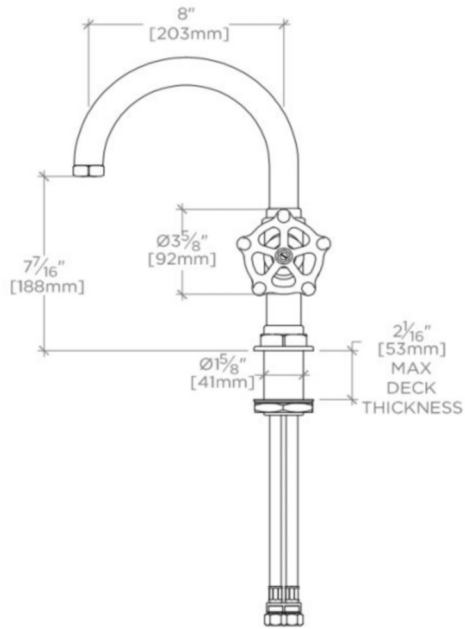
TOP VIEW SCALE: 1/2"=1'-0"



ISO VIEW SCALE: 1/2"=1'-0"



FRONT VIEW SCALE: 1/2"=1'-0"



SIDE VIEW SCALE: 1/2"=1'-0"