

HENRY

Henry Low Profile Three Hole Deck Mounted Lavatory Faucet with Metal Lever Handles

HNLS10



SHOWN IN HENRY LOW PROFILE THREE HOLE DECK MOUNTED LAVATORY FAUCET WITH METAL LEVER HANDLES| HNLS10

TECHNICAL DETAILS

ADA Compliance: Yes
 Adjustable versus Fixed Spray: Fixed Spray
 Deck Thickness Maximum: 41 mm
 Deck Thickness Minimum: 5 mm
 Drain Depth Maximum: 67 mm
 Drain Hole Diameter: 44 mm
 Escutcheon Primary Material: Brass
 Fittings Hole Diameter: 32 mm
 Handle Spread Maximum: 305 mm
 Handle Spread Minimum: 203 mm
 Handle Turn Angle: Quarter Turn
 Depth / Width: 194 mm
 Drain Depth Minimum: 10 mm
 Height: 92 mm
 Inlet Connection Size: 1/2"
 Inlet Connection Type: Male with Supply Nut
 Inlet Supply Spread Maximum: 305 mm
 Inlet Supply Spread Minimum: 203 mm
 Installation Type: Deck Mounted
 Integrated Diverter: N
 Integrated Spray: N
 Number of Handles: Two
 Number of Holes: Three Hole
 Primary Material: Brass
 Spout Swivel: N
 Spray Included in Unit: N
 Suggested Application: Bath
 Valve Material: Ceramic
 Water Pressure Maximum: 6.0 bar
 Water Pressure Minimum: 1.5 bar
 Water Pressure Recommended: 3.0 bar

INSPIRATION

Influenced by the connection of industry and art Henry easily transitions between modern, traditional, utilitarian and classic settings.

CODES & STANDARDS

Code # HNLS10X: Complies with ASME A112.18.1/CSA B125.1, cUPC, NSF 61/NSF 372, and ADA. Certified with IAPMO, NSF, CEC, DOE, State of MA, and WRAS.

PRODUCT FEATURES

Metal lever handles
 Includes European size push touch drain
 The manufacturing process encompasses casting, turning, forging, hand-fitting and hand polishing.
 Stocked in Chrome, Nickel, Matte Nickel, and Unlacquered Brass
 Available in 1.2gpm (4.5L/min) flow rate

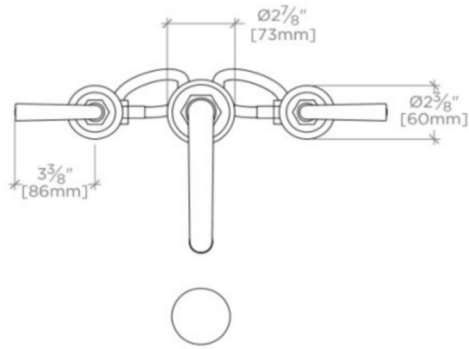
CERTIFICATIONS



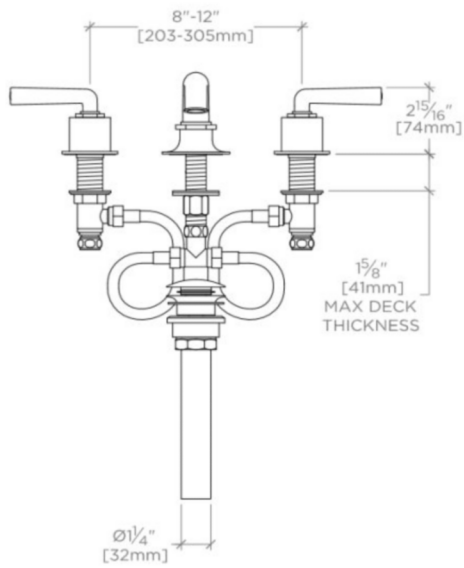
HENRY

HNLS10

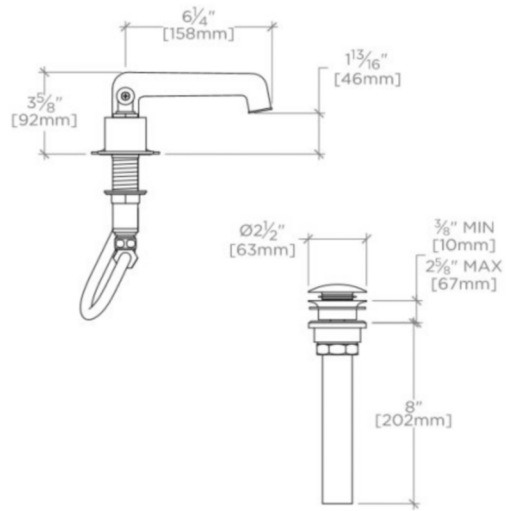
Henry Low Profile Three Hole Deck Mounted Lavatory Faucet with Metal Lever Handles



TOP VIEW SCALE: $1\frac{1}{2}"=1'-0"$



FRONT VIEW SCALE: $1\frac{1}{2}"=1'-0"$



SIDE VIEW SCALE: $1\frac{1}{2}"=1'-0"$