

EASTON

EAPF21

Easton Classic Wall Mounted Extension Pot Filler, Metal Cross Handle



SHOWN IN EASTON CLASSIC WALL MOUNTED EXTENSION POT FILLER, METAL CROSS HANDLE| EAPF21

TECHNICAL DETAILS

ADA Compliance: Yes
Adjustable versus Fixed Spray: Fixed Spray
Escutcheon Primary Material: Brass
Fittings Hole Diameter: 1 1/4"
Handle Turn Angle: Quarter Turn
Index Color / Finish and Material: White Porcelain
Depth / Width: 13 1/2"
Height: 8"
Index Marking: Cold
Inlet Connection Size: 1/2"
Inlet Connection Type: Female NPT
Installation Type: Wall Mounted
Length: 2 3/8"
Number of Handles: One
Number of Holes: One Hole
Primary Material: Brass
Spout Swivel: Y
Suggested Application: Bar, Kitchen, Laundry
Valve Material: Ceramic
Water Pressure Maximum: 75.0 psi
Water Pressure Minimum: 20.0 psi
Water Pressure Recommended: 45.0 psi

INSPIRATION

Drawing on Edwardian style, Easton is the most extensive Waterworks family; a range of moods and a selection of products from fittings to furniture.

CODES & STANDARDS

Code # EAKM21: ASME A112.18.1 / CSA B125.1, NSF

PRODUCT FEATURES

Brass metal is used for all trim and valve components
The manufacturing process encompasses casting, turning, forging, hand-fitting and hand polishing.
Easton is our most comprehensive fittings family.
Easton has a clean-lined utilitarian profile, with a slightly elongated spout.

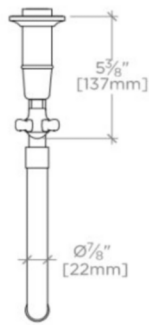
CERTIFICATIONS



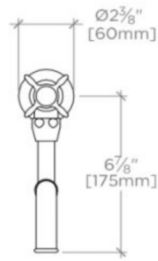
EASTON

EAPF21

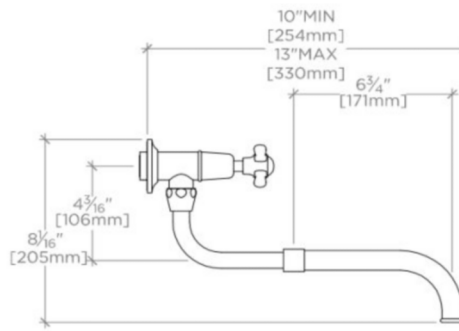
Easton Classic Wall Mounted Extension Pot Filler, Metal Cross Handle



TOP VIEW SCALE: $1\frac{1}{2}$ "=1'-0"



FRONT VIEW SCALE: $1\frac{1}{2}$ "=1'-0"



SIDE VIEW SCALE: $1\frac{1}{2}$ "=1'-0"