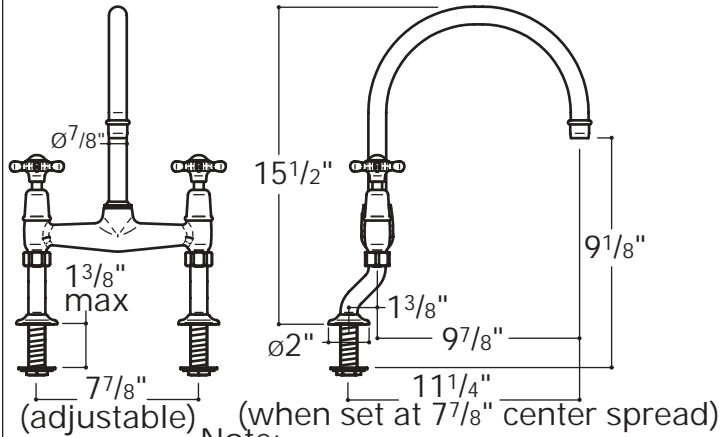


COVERED

- EAKM01** (cross handle)
- EAKM02-K** (metal lever handle)
- EAKM03-K** (white porcelain lever handle)
- EAKM04-K** (black porcelain lever handle)
- EAKM05-K** (oak lever handle)

UNCOVERED

- EAKM11** (cross handle)
- EAKM12-K** (metal lever handle)
- EAKM13-K** (white porcelain lever handle)
- EAKM14-K** (black porcelain lever handle)
- EAKM15-K** (oak lever handle)



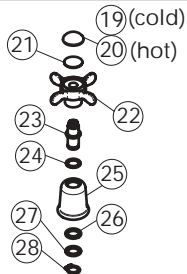
Note:

- Inlet - 1/2" straight male thread
- Drilling hole size - ø1"

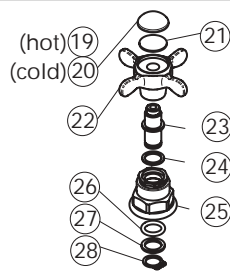
**INSTALLATION GUIDELINES:**

1. Use only a protected, smooth-jawed, or strap wrench on any finished surface.
  2. DO NOT use putty on deck fittings. Upper and lower washers are provided.
  3. Accepts standard supply tubes or stainless steel flex supplies.
  4. Check for leaks.
  5. After installation, unscrew and remove the aerator assembly (1). Carefully open the hot and cold valves fully to flush out any debris in the supply lines. Once the lines have been flushed, close the valves and reinstall the aerator assembly.
  6. For servicing valve stem: unscrew the cover (25) and pull off the handle and cover together. Cover should be hand tight.
- If further assistance is required, please contact Product Support at 1-800-927-2120 (8am-7pm EST).

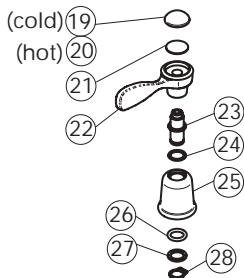
EAKM01



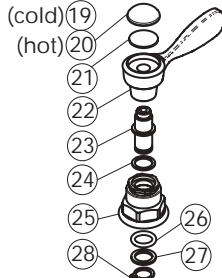
EAKM11



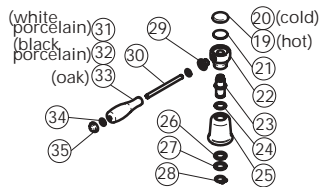
EAKM02-K



EAKM12-K



EAKM03-K,04-K,05-K



EAKM13-K,14-K,15-K

