

## ELSA

## ELXT52

Elsa Exposed Tub Filler with Metal Cross Handles and Hand-shower and Metal Lever Diverter



SHOWN IN CHROME WITH CROSS HANDLES

### TECHNICAL DETAILS

Adjustable versus Fixed Spray: Fixed Spray  
 Diameter of Head: 2"  
 Diameter of Legs / Tubes: 1 1/4"  
 Escutcheon Primary Material: brass  
 Fittings Hole Diameter: 1 1/4"  
 Flow Restriction Options: 2.0, 1.75, 1.5, 0.92  
 Handle Spread Maximum: 5.9"  
 Handle Spread Minimum: 5.9"  
 Depth / Width: 7"  
 Height: 13"  
 Inlet Connection Size: 1/2"  
 Inlet Connection Type: Male NPT  
 Inlet Supply Spread Maximum: 6.3"  
 Inlet Supply Spread Minimum: 5 1/2"  
 Integrated Diverter: Y  
 Length: 9"  
 Pivot: N  
 Primary Material: Brass  
 Restricted Maximum Flow Rate: 2.5 gpm  
 Spout Reach: 6 1/4"  
 Spout Swivel: N  
 Suggested Application: Bath  
 Valve Material: ceramic  
 Water Pressure Maximum: 80.0 psi  
 Water Pressure Minimum: 20.0 psi  
 Water Pressure Recommended: 45.0 psi

### INSPIRATION

An updated 1930's design that is curvaceous and bold; Elsa conveys charm, warmth and a touch of whimsy.

### CODES & STANDARDS

Code # ELTU52: ASME A112.18.1, CSA B125, IAPMO, State of MA

### PRODUCT FEATURES

Brass material is used for all trim and valve component parts.

The manufacturing process encompasses casting, turning, hand-fitting and hand polishing.

The smooth, sculptural contours and simplified linear detail ensure that Elsa will be comfortable and welcomed in any bathroom.

Standard flow rate is 2.5gpm for handshower only. Also available in high efficient flow options.

Contact your sales associate or call 1 (800) 899-6757 for details.

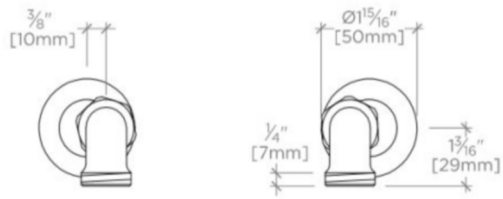
### CERTIFICATIONS



## ELSA

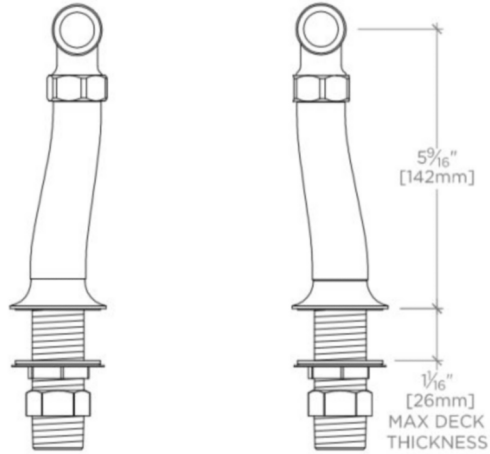
## ELXT52

Elsa Exposed Tub Filler with Metal Cross Handles and Hand-shower and Metal Lever Diverter



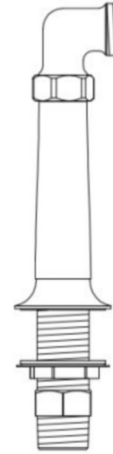
TOP VIEW

SCALE: 3"=1'-0"



FRONT VIEW

SCALE: 3"=1'-0"



SIDE VIEW

SCALE: 3"=1'-0"