

# WATERWORKS

## REGULATOR

RG20KM

Regulator Gooseneck Single Spout Kitchen Faucet, Black Wheel Handle and Spray



SHOWN IN REGULATOR GOOSENECK SINGLE SPOUT KITCHEN FAUCET, BLACK WHEEL HANDLE AND SPRAY | RGKM20

### TECHNICAL DETAILS

Deck Thickness Maximum: 52 mm  
Deck Thickness Minimum: 6 mm  
Handle Spread Maximum: 305 mm  
Handle Spread Minimum: 152 mm  
Handle Turn Angle: Quarter Turn Each Way  
Handshower / Spray Hose Length: 1.2 m  
Depth / Width: 314 mm  
Height: 403 mm  
Inlet Connection Size: 3/8"  
Inlet Connection Type: Female BSPP  
Integrated Diverter: Y  
Integrated Spray: N  
Length: 452 mm  
Primary Material: Brass  
Restricted Maximum Flow Rate: 8.3 liters/min  
Spout Swivel: Y  
Spray Included in Unit: Y  
Suggested Application: Bar, Kitchen, Laundry  
Valve Material: Ceramic  
Water Pressure Maximum: 5.5 bar  
Water Pressure Minimum: 1.5 bar  
Water Pressure Recommended: 3.0 bar

### INSPIRATION

A play on industrial controls from the early 1900s, when pride was lavished on parts. Translated to handcrafted, fittings project rugged beauty through powerful, detailed shapes.

### PRODUCT FEATURES

Casted brass temperature mixing valve. The user rotates the center control handle for preferred temperature.  
Solid brass wheel handles finished in matte black to control on/off/volume. Paint resistant to hard water  
Built-in automatic diverters for spray operation.  
Larger holes are required in the deck. 2-1/4" for mixing valve. 1-3/4" for faucet spouts.

### PRODUCT (NOTES)

Drilling size requirements are 2 1/4" for mixing/spray body and 1 3/4" for faucet body.

# WATERWORKS

## REGULATOR

## RG20KM

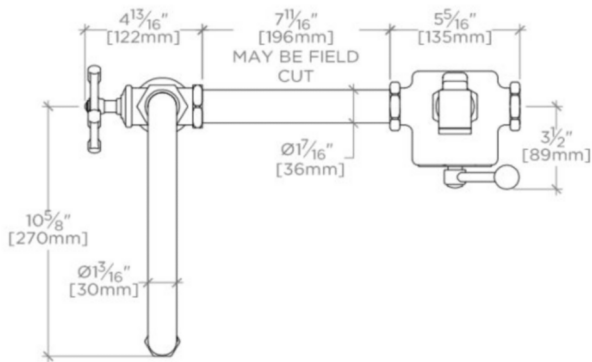
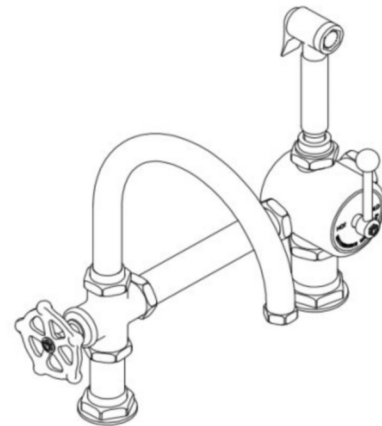
Regulator Gooseneck Single Spout Kitchen Faucet, Black Wheel Handle and Spray



REQUIRED DRILLINGS

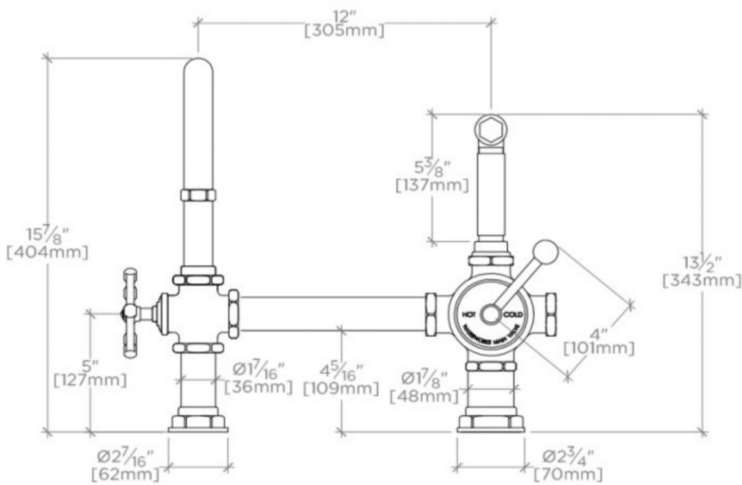
SCALE: 1/2"=1'-0"

ADAPTER(S) PACKAGED SEPARATELY		
ADAPTER	DESCRIPTION	QTY
UNUK08	9/16"-24 UNEF Male x 3/8" Female BSP in Nickel	2



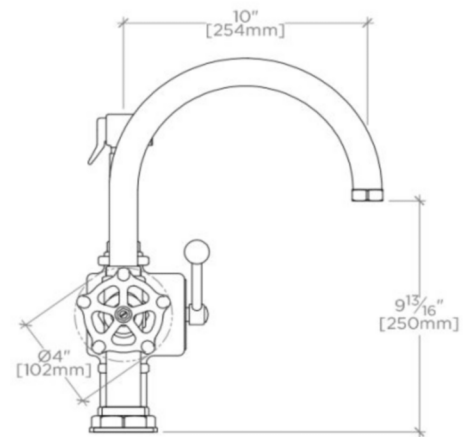
TOP VIEW

SCALE: 1/2"=1'-0"



FRONT VIEW

SCALE: 1/2"=1'-0"



SIDE VIEW

SCALE: 1/2"=1'-0"