

WATERWORKS

PRODUCT SUPPORT
800.927.2120
WATERWORKS.COM

UNIVERSAL

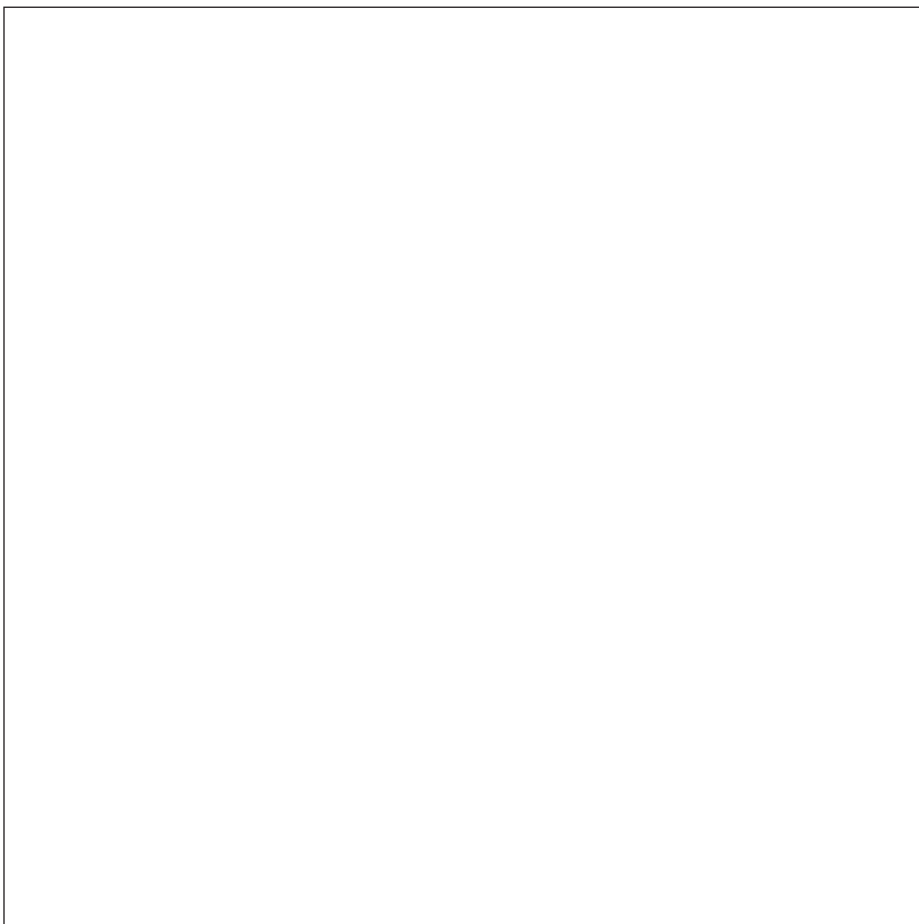
Vertical Shower Arm and Flange in Chrome

STYLE No. 626724
REFERENCE No. WWSH36C
ITEM No. 05-52573-95235

SPECIFICATIONS
PAGE 1 OF 3

DESIGN

FEATURES



SHOWN IN finish/color

WATERWORKS

PRODUCT SUPPORT
800.927.2120
WATERWORKS.COM

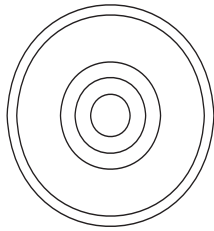
UNIVERSAL

Vertical Shower Arm and Flange in Chrome

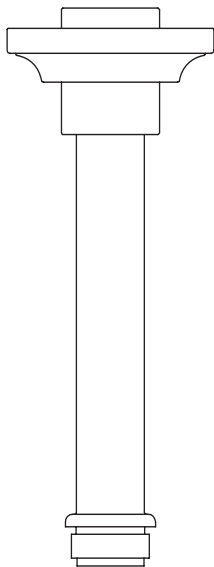
STYLE No. 626724
REFERENCE No. WWSH36C
ITEM No. 05-52573-95235

SPECIFICATIONS
PAGE 2 OF 3

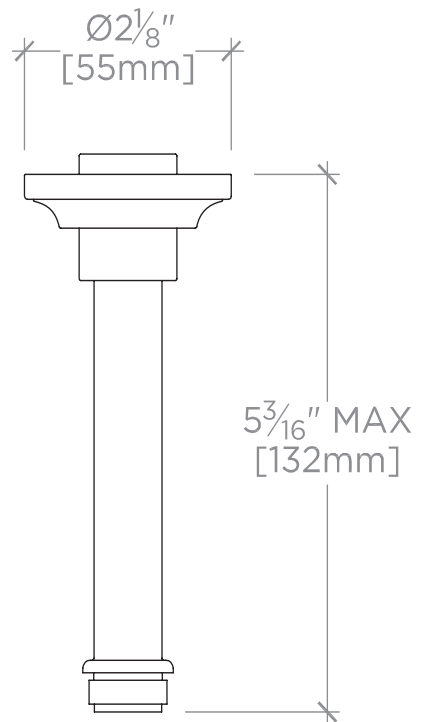
All dimensions are based on original specifications and are subject to change and variation. Please consult your Design Associate for current specifications.



TOP VIEW SCALE: 3"=1'-0"



FRONT VIEW SCALE: 3"=1'-0"



SIDE VIEW SCALE: 3"=1'-0"

WATERWORKS

PRODUCT SUPPORT
800.927.2120
WATERWORKS.COM

UNIVERSAL

Vertical Shower Arm and Flange in Chrome

STYLE No. 626724
REFERENCE No. WWSH36C
ITEM No. 05-52573-95235

SPECIFICATIONS
PAGE 3 OF 3

SPECIFICATIONS

Primary Material: Brass
Inlet Connection Size: 1/2"
Inlet Connection Type: Female NPT
Maximum Water Pressure:
Minimum Water Pressure:
Fittings Hole Diameter: 1 1/8"
Recommended Water Pressure:
Restricted Maximum Flow Rate:

CARE INSTRUCTIONS

To clean the finish, wipe gently with a soft damp cloth and then with a soft dry towel. A mild soap solution can be used for daily cleaning.

CODES AND STANDARDS

ASME A112.18.1, CSA B125.1, IAPMO, State of MA

FLOW RATE CURVE

REQUIRED PLUMBING DETAILS

Below is a list of choices that must be made to complete your lavatory faucet.