

## WATERWORKS

PRODUCT SUPPORT  
800.927.2120  
WATERWORKS.COM

# OPUS

Supply Kit for One Hole Bidet in Chrome

**STYLE No.** 859655  
**REFERENCE No.** OPPBF99C  
**ITEM No.** 26-78268-71405

**SPECIFICATIONS**  
PAGE 1 OF 3

### DESIGN

Opus' smooth sensual and organic forms reflect water's elemental beauty. This line is a simple product range refined to its purist forms and its perfection pleases both the eye and hand and demands the best of quality and craftsmanship.

### FEATURES

Brass material is used for trim and valve component parts.

The manufacturing process encompasses casting, turning, stamping, hand-fitting and hand polishing.

Eased curves and reflective forms carry the message of cleanliness and clarity.

An extensive range of fittings, fixture and accessory options for the lavatory, shower, bathtub.



SHOWN IN finish/color

# WATERWORKS

PRODUCT SUPPORT  
800.927.2120  
WATERWORKS.COM

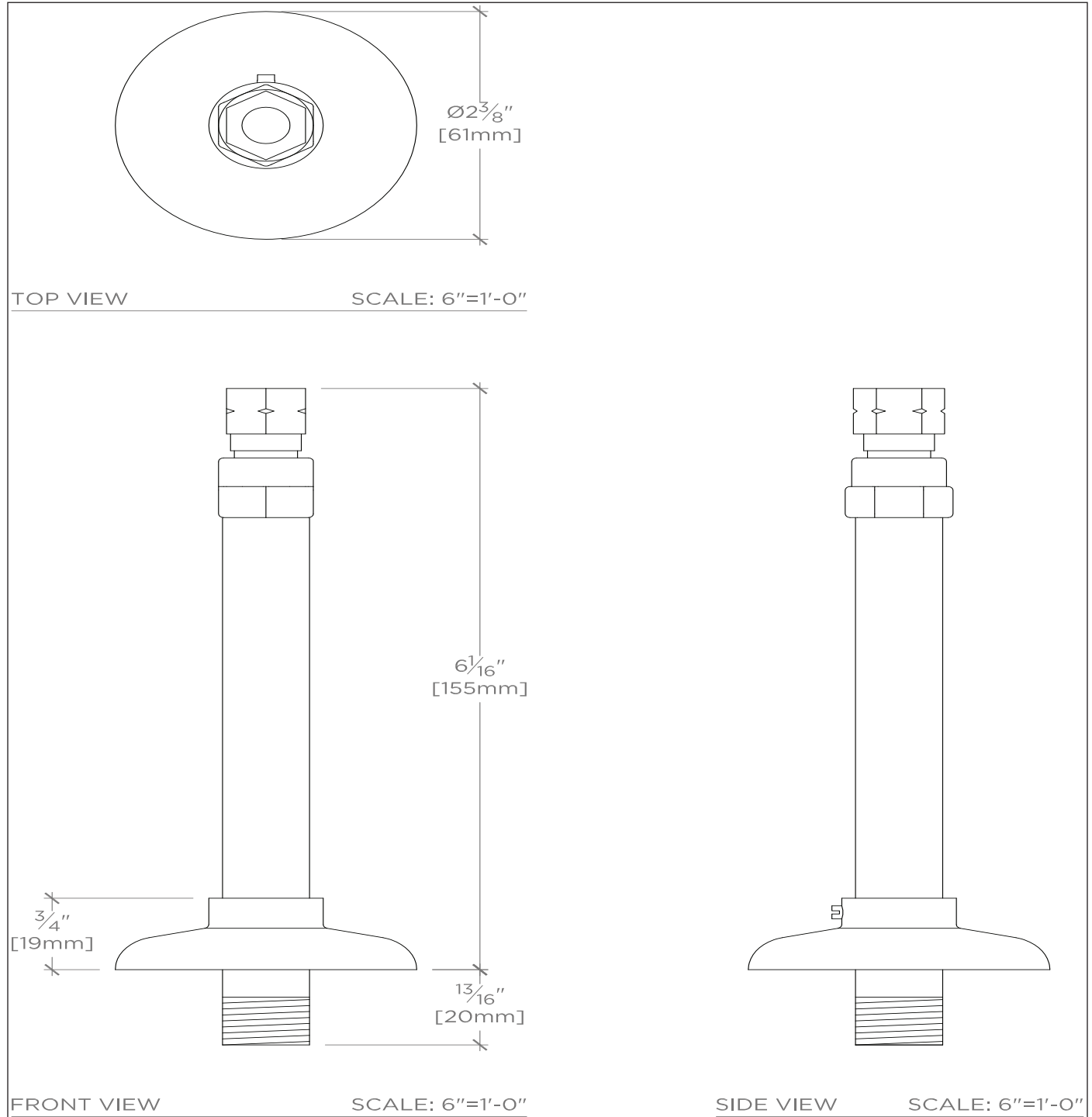
# OPUS

Supply Kit for One Hole Bidet in Chrome

**STYLE No.** 859655  
**REFERENCE No.** OPPBF99C  
**ITEM No.** 26-78268-71405

## SPECIFICATIONS PAGE 2 OF 3

*All dimensions are based on original specifications and are subject to change and variation. Please consult your Design Associate for current specifications.*



## WATERWORKS

PRODUCT SUPPORT  
800.927.2120  
WATERWORKS.COM

# OPUS

Supply Kit for One Hole Bidet in Chrome

**STYLE No.** 859655  
**REFERENCE No.** OPPBF99C  
**ITEM No.** 26-78268-71405

**SPECIFICATIONS**  
PAGE 3 OF 3

### SPECIFICATIONS

Primary Material: Brass  
ADA Compliance: No  
Inlet Connection Size: 1/2"  
Inlet Connection Type: NPT  
Maximum Water Pressure: 80 psi  
Minimum Water Pressure: 25 psi  
Outlet Connection Size: 3/8"  
Outlet Connection Type: Compression  
Recommended Water Pressure: 45 psi  
Valve Material: Brass

### CARE INSTRUCTIONS

To clean the finish, wipe gently with a soft damp cloth and then with a soft dry towel. A mild soap solution can be used for daily cleaning.

### CODES AND STANDARDS