

WATERWORKS

AERO

Aero Low Profile Concealed Tub Filler with Metal Cross Handles

AETF85



TECHNICAL DETAILS

ADA Compliance: Yes
Adjustable versus Fixed Spray: Fixed Spray
Deck Thickness Maximum: 1 5/8"
Deck Thickness Minimum: 0"
Escutcheon Primary Material: Brass
Fittings Hole Diameter: 1 3/8"
Handle Spread Maximum: 12"
Handle Spread Minimum: 10"
Handle Turn Angle: Quarter Turn
Depth / Width: 12"
Height: 6"
Inlet Connection Size: 3/4"
Inlet Connection Type: Male NPT Adapter
Inlet Supply Spread Maximum: 12"
Inlet Supply Spread Minimum: 10"
Installation Type: Deck Mounted
Integrated Diverter: N
Length: 21"
Number of Handles: Two
Number of Holes: Three Hole
Pivot: N
Primary Material: Brass
Spout Reach: 9 1/2"
Spout Swivel: N
Suggested Application: Bath
Valve Material: ceramic
Water Pressure Maximum: 85.0 psi
Water Pressure Minimum: 20.0 psi
Water Pressure Recommended: 45.0 psi

INSPIRATION

Inspired by the stepped detail of 19th century telescopes, Aero is a combination of historical reference with a contemporary temperament. The result is original and modern, bringing a look of updated elegance.

CODES & STANDARDS

Code # AETU85: ASME A112.18.1, CSA B125, IAPMO, State of MA

PRODUCT FEATURES

Features a unique tri-spoke handle with smartly squared-off ends, and the choice of metal, ebony or ebony inlay.

This item is available in made-to-order finish options available in 12 weeks from purchase.

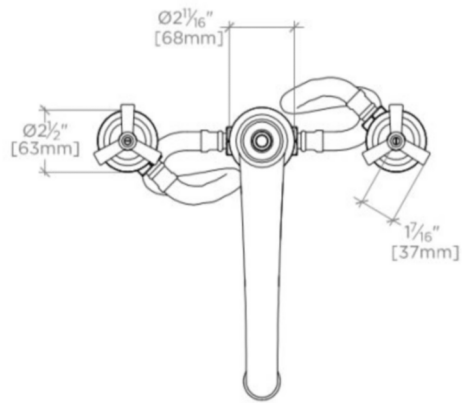
Flow rate regulated at 2.5 gallons per minute (gpm).

Lift pop-up located on tap to divert water to handshower.

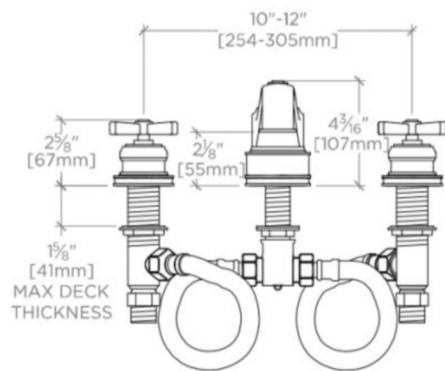
CERTIFICATIONS



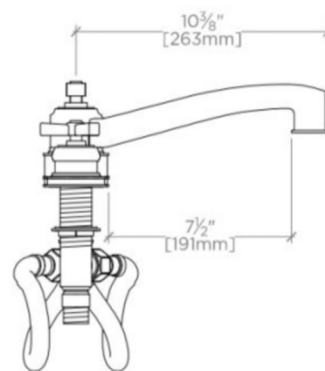
Aero Low Profile Concealed Tub Filler with Metal Cross Handles



TOP VIEW SCALE: 1½"=1'-0"



FRONT VIEW SCALE: 1½"=1'-0"



SIDE VIEW SCALE: 1½"=1'-0"