

WATT

WLLT03

Watt Ceiling Mounted Pendant with Plain Glass Shade



SHOWN IN NICKEL

TECHNICAL DETAILS

Ambient / Task: Ambient
Bulb Base Size: E26
Escutcheon Primary Material: Brass
Max Wattage: 75 Watt
Shade Size (L x W x H): 5 5/8 x 7 3/4
Bulb Type: Edison Filament
Depth / Width: 5 5/8"
Height: 11 1/8"
Interior / Exterior Application: Interior Only
Junction Box Orientation: Horizontal
Length: 5 5/8"
Number of Bulbs: One
Primary Material: Made of Brass
Safety Warnings: Do not exceed max wattage (75).
Shade Material: Glass
Suggested Application: All Applications
Voltage: 120V
Wet / Dry: Damp or Dry

INSPIRATION

Inspired by the countless shapes and colors of telephone pole insulator covers, the Watt collection features two styles of large scale boron molded glass shades in clear, amber or blue. The Watt II collection features a smaller scale molded glass shade available in clear. They are an original interpretation of a vintage form and available in sconces or pendants.

CODES & STANDARDS

UL and CUL

PRODUCT FEATURES

Shade and bulb are included
Available in a pendant or sconce
Boron molded glass comes in three colors and two shapes; plain and ribbed
Nickel pendant features gray fabric cord and old bronze and unlacquered brass feature brown fabric cord

CERTIFICATIONS



PRODUCT (NOTES)

Replacement Plain Glass Shade (Clear, Amber, Blue) Style #999156. Replacement Ribbed Glass Shade (Clear, Amber, Blue) Style #999157. Replacement Knob for Wall Plate (Nickel, Unlacquered Brass, Old Bronze) Style #998703. Replacement bulb for Plain Glass Shade

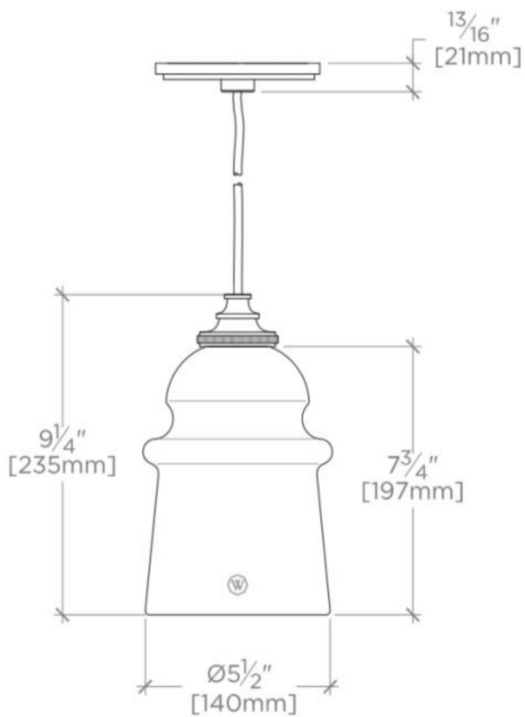
WATT

WLLT03

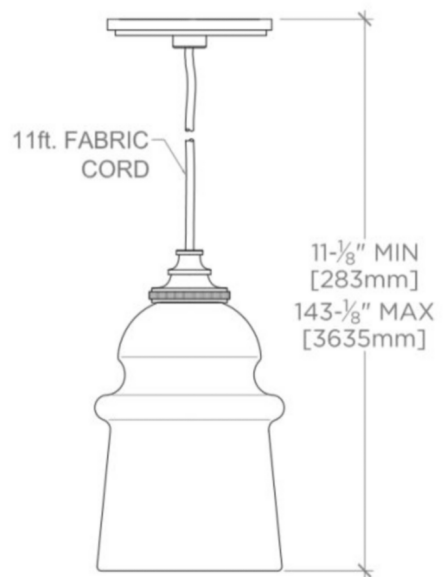
Watt Ceiling Mounted Pendant with Plain Glass Shade



TOP VIEW SCALE: 2"=1'-0"



FRONT VIEW SCALE: 2"=1'-0"



SIDE VIEW SCALE: 2"=1'-0"