

## CLASSIC

## CLAT1R

Classic 72" x 36" x 21" Right Hand Air Rectangular Bathtub with Center Drain



SHOWN IN WHITE

### TECHNICAL DETAILS

ADA Compliance: No  
Assembly / Configuration: One Piece  
Bathing Type: Bathing, Soaking and Showering  
Drilling Option: None  
Electric Requirements: 16" high x 30" wide Access Panel  
Depth / Width: 36"  
Height: 21"  
Installation Type: Drop In or Undermount  
Item Weight (Filled): 900.0 pounds  
Length: 72"  
Number of Holes: Two Hole  
Overflow Opening: Yes  
Primary Material: Acrylic  
Required Electrical Feeds: 120V/15amp Dedicated Line  
Single or Double Ended: Double Ended  
Suggested Application: Bath

### INSPIRATION

Our Classic collection encompasses core elements for every bath. This collection is perfect for all design aesthetics.

### CODES & STANDARDS

Code # CLBT01: UL, cUL

### PRODUCT FEATURES

Constructed of high density acrylic which is the highest industry standard  
The high density acrylic acts as a reinforcement and provided an overall thicker bathtub construction  
The high density acrylic acts as a reinforcement and provided an overall thicker bathtub construction  
Microban is built into the acrylic during manufacturing to provide a continuous antimicrobial product protection.

### CERTIFICATIONS

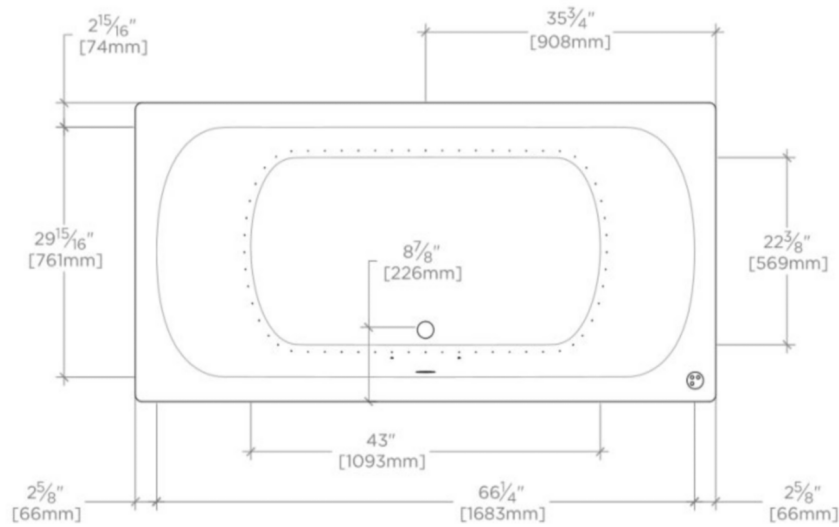


# WATERWORKS

## CLASSIC

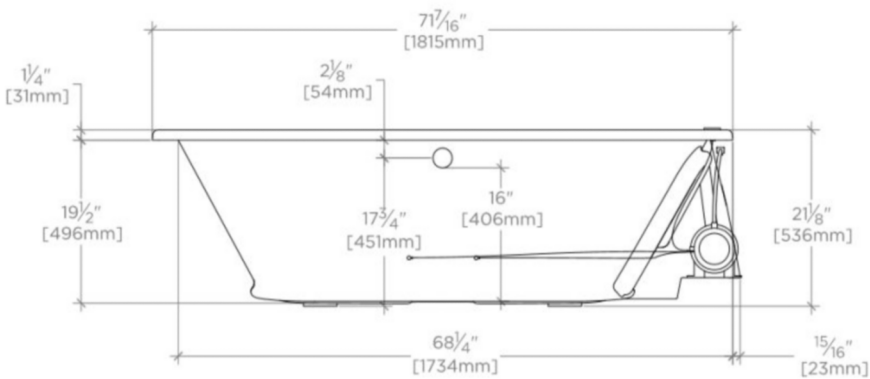
## CLAT1R

Classic 72" x 36" x 21" Right Hand Air Rectangular Bathtub with Center Drain



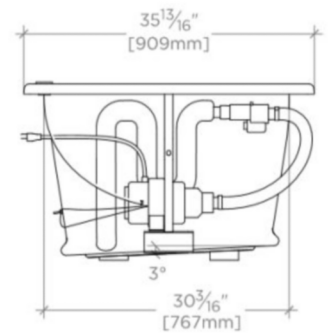
TOP VIEW

SCALE: 1/2"=1'-0"



SIDE VIEW

SCALE: 1/2"=1'-0"



END VIEW

SCALE: 1/2"=1'-0"