

MINNA

Minna 60" x 30" x 20" Rectangular Cast Iron Bathtub

MIBT70



SHOWN IN MINNA 60" X 30" X 20" RECTANGULAR CAST IRON BATHTUB| MIBT70

TECHNICAL DETAILS

ADA Compliance: No
 Assembly / Configuration: One Piece
 Bathing Type: Bathing and Soaking
 Bottom Angle / Pitch: 1.0 degree_angle
 Depth to Overflow: 14 5/16"
 Drain Hole Diameter: 2 1/16"
 Drilling Option: Fittings Drilling
 Fitting Hole Configuration / Number: None
 Depth / Width: 30"
 Height: 20"
 Installation Type: Undermount
 Item Weight (Filled): 764.0 pounds
 Length: 60"
 Material / Wall Thickness: 3/8"
 Overflow Hole Diameter: 2 1/16"
 Primary Material: Cast Iron
 Single or Double Ended: Single Ended
 Suggested Application: Bath

INSPIRATION

The Minna cast iron bathtub was designed by Waterworks with comfort and space in mind. The ergonomic shape invites bathers to relax and soak while the foot print of the bathtub provides a comfortable area in which to maneuver while showering.

CODES & STANDARDS

Code # WWBT70: State of MA

PRODUCT FEATURES

The Minna tub is a simple, rectangular cast iron bathing vessel with a flat deck for drop in or undermount installations.

This five foot bathtub fits most bathroom floor plans allowing for versatile applications.

Available with optional Slip Resistant interior surface which provides additional built-in safety without the use of a mat.



PRODUCT (NOTES)

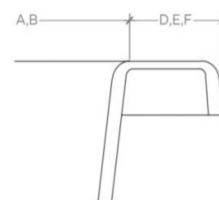
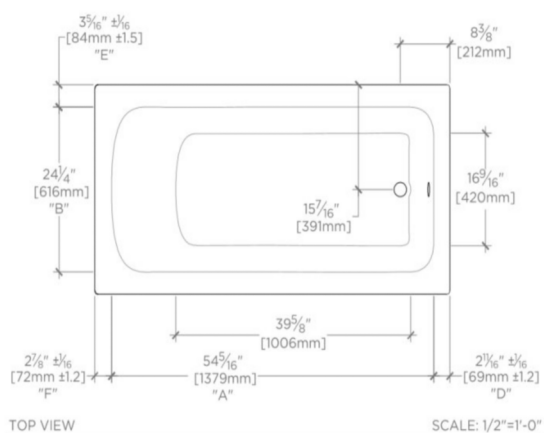
Dimensions of fixtures are nominal. Measure your actual product for rough-in details.

MINNA

Minna 60" x 30" x 20" Rectangular Cast Iron Bathtub

MIBT70

Dimensional Tolerance	
> 7 ⁷ / ₁₆ " [200mm]	± 0.8%
< 7 ⁷ / ₁₆ " [200mm]	± 1.8%



BATHING WELL (A,B) AND RIM (D,E,F) DIMENSIONS ARE TO THE TOP OF RADIUS AS SHOWN.

DETAIL VIEW C

