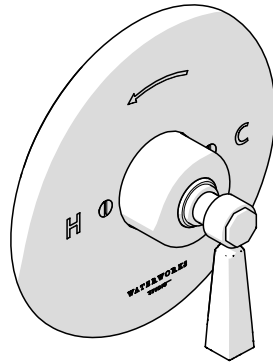


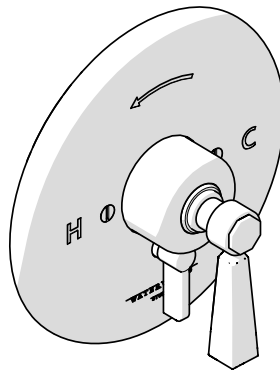
WATERWORKS STUDIO

SERVICE PARTS



STYLE RDPB10

Roadster Pressure Balance Control Valve Trim with Metal Lever Handles



STYLE RDPB30

Roadster Pressure Balance with Diverter Trim with Metal Lever Handles

WELCOME TO

WATERWORKS STUDIO

Over thirty years of experience distilled into signature fittings, surfaces, textiles, and accessories. Waterworks Studio is an edited collection of design solutions curated to be concise, engineered to be complete, and crafted for quality.

Everything you need, nothing more.

**TO ORDER PARTS CALL
1 (800) 927-2120 (EXT 2)**

Order by part number and specify color, finish, or other options if required.

PRODUCT SUPPORT

Our Product Support team provides troubleshooting and technical problem resolution, including replacement parts and installation recommendations throughout the life of your product.

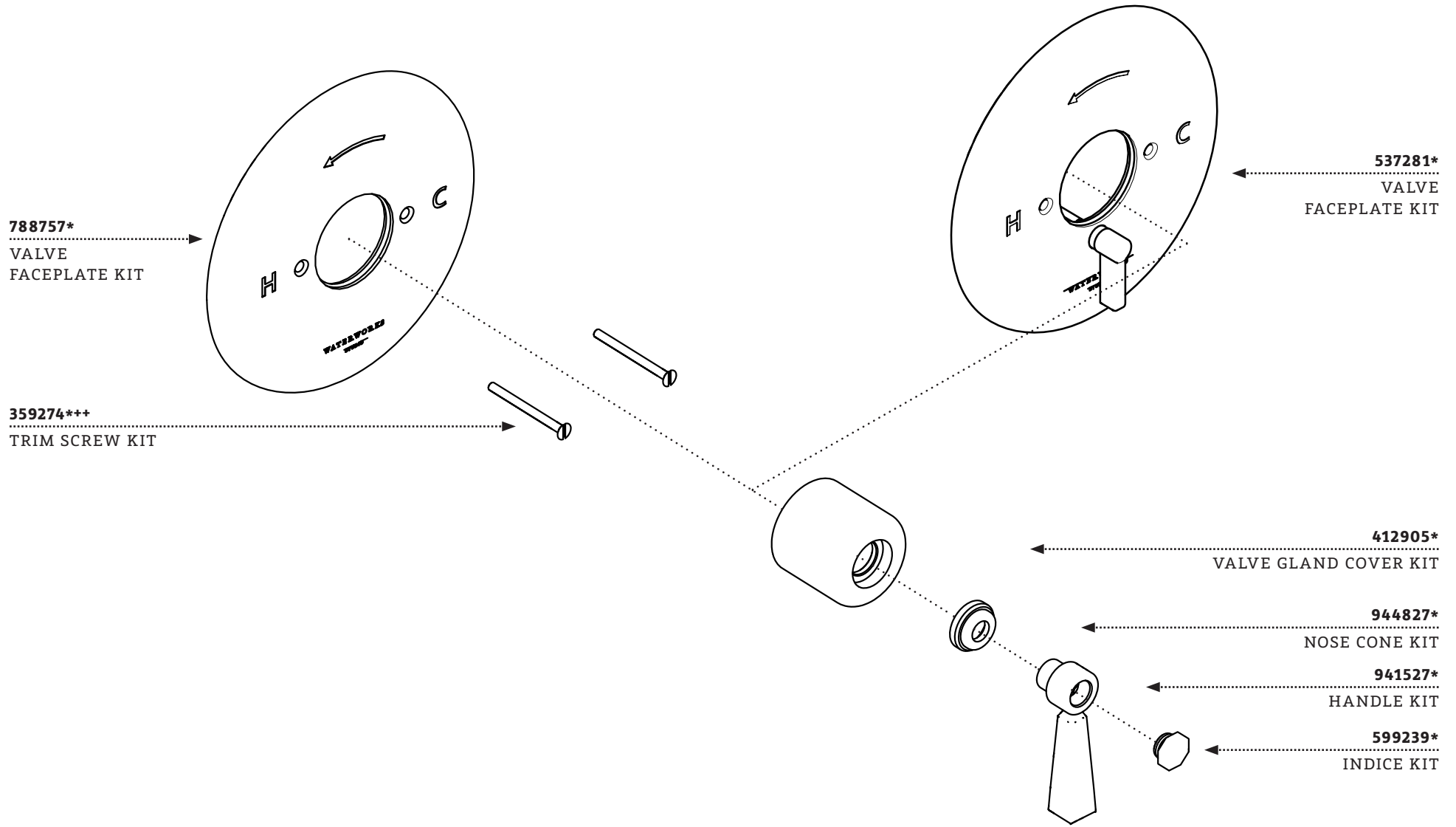
Product Support is available Monday through Friday, 9am-6pm.

**LIMITED LIFETIME
WARRANTY**

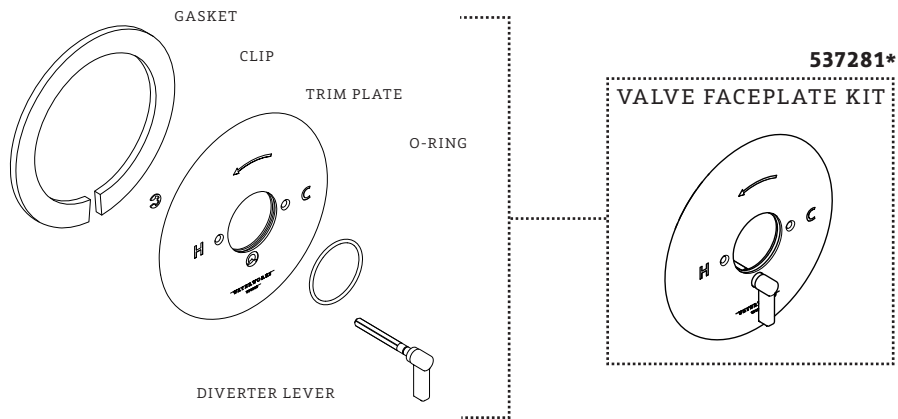
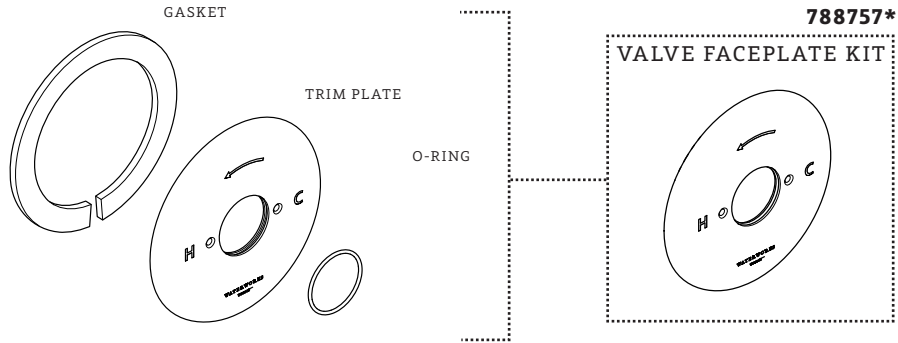
Our warranty covers repair and replacement of Waterworks products if within the applicable coverage period and deemed defective by Waterworks. Waterworks will, at its option, repair or replace such products; this does not include installation costs, labor charges, or other incidental or consequential costs.

To obtain your complete warranty or inquire about warranty service, please visit us at www.waterworks.com or contact our Product Support Team.

MAIN KITS

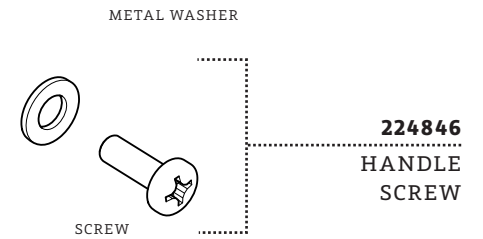
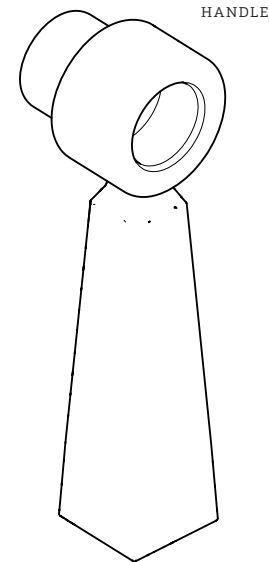


KIT COMPONENTS

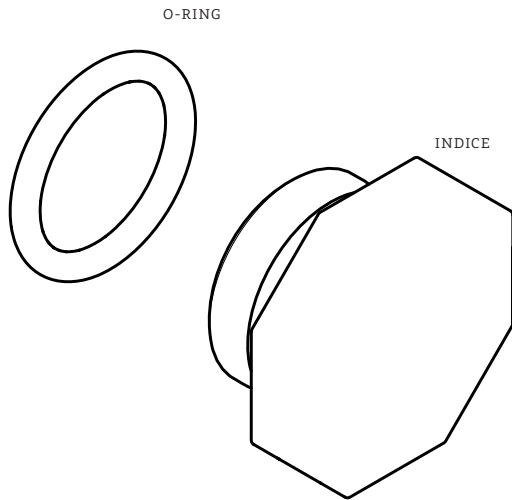
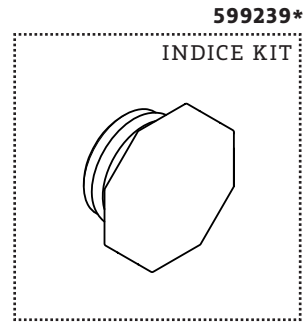


*FINISH/COLOR MUST BE SPECIFIED WHEN ORDERING
++SUPPLIED AS A PAIR

KIT COMPONENTS



KIT COMPONENTS



*FINISH/COLOR MUST BE SPECIFIED WHEN ORDERING
++SUPPLIED AS A PAIR

SERVICE PARTS INDEX

<u>STYLE</u>	<u>DESCRIPTION</u>	<u>PG</u>
412905*	VALVE GLAND COVER KIT	3
941527*	HANDLE KIT	5
224846	HANDLE SCREW	5
599239*	INDICE KIT	6
944827*	NOSE CONE KIT	3
359274*++	TRIM SCREW KIT	2
537281*	VALVE FACEPLATE KIT	4
788757*	VALVE FACEPLATE KIT	4



WATERWORKS
STUDIO

PRODUCT SUPPORT

60 BACKUS AVENUE
DANBURY, CT 06810

1 (800) 927-2120 (EXT 2)

WWW.WATERWORKS.COM/STUDIO