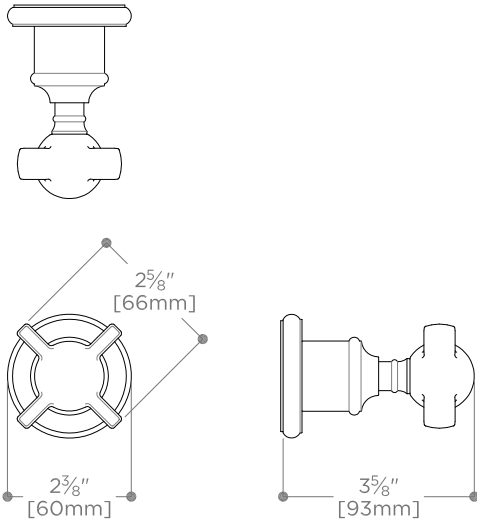


OMSV01

**IMPORTANT:**

- To ensure this product is installed properly, you must read and follow these guidelines.
- The owner/user of this product must keep this information for future reference.
- Valve body rough-in depth is 2-1/2" from the centerline of the inlets to the face of the finished wall. The valve must be installed according to the flow direction arrow marked on the side of the wall valve body.
- Be sure your installation conforms to federal, state, and local codes. Anti-scald protection is the responsibility of the installer and according to applicable codes.
- Wall valves control on/off/volume and must be installed for each fitting that will have water flowing to it. If using a wall valve with our thermostatic valve, refer to the Installation Guidelines for the Thermostatic Valve which contains related installation information.
- This product must be installed by a professional licensed contractor.
- This product should be on-site prior to rough in. This allows the installer to visualize the installation.

- Refer to the specification and assembly drawings attached. This product is sold partially assembled but shown fully disassembled for illustrative and service purposes only.
- Inspect this product to assure you have all parts required for proper installation.
- Use only a strap wrench or protected/smooth-jaw wrench on any finished surfaces.

**VOLUME CONTROL VALVE TRIM:**

1. Pull the tile guard off the threaded sleeve.
2. Thread the escutcheon (7) and rubber washer (8) onto the threaded sleeve until the escutcheon contacts the wall.
3. Mark the threaded sleeve at a point that is 1/2" from the escutcheon.
4. Remove the escutcheon and the threaded sleeve and cut the sleeve at the mark made in Step 3. Do NOT cut the end of the sleeve that has the internal threads.
5. Reinstall the threaded sleeve and escutcheon. If desired, a bead of caulk or silicone may be applied where the escutcheon contacts the wall.
6. Make a mark on the splined stem on the cartridge at a point that is 1" from the escutcheon.
7. Cut the splined stem on the mark made in Step 12 then thread on the handle assembly (1-6).

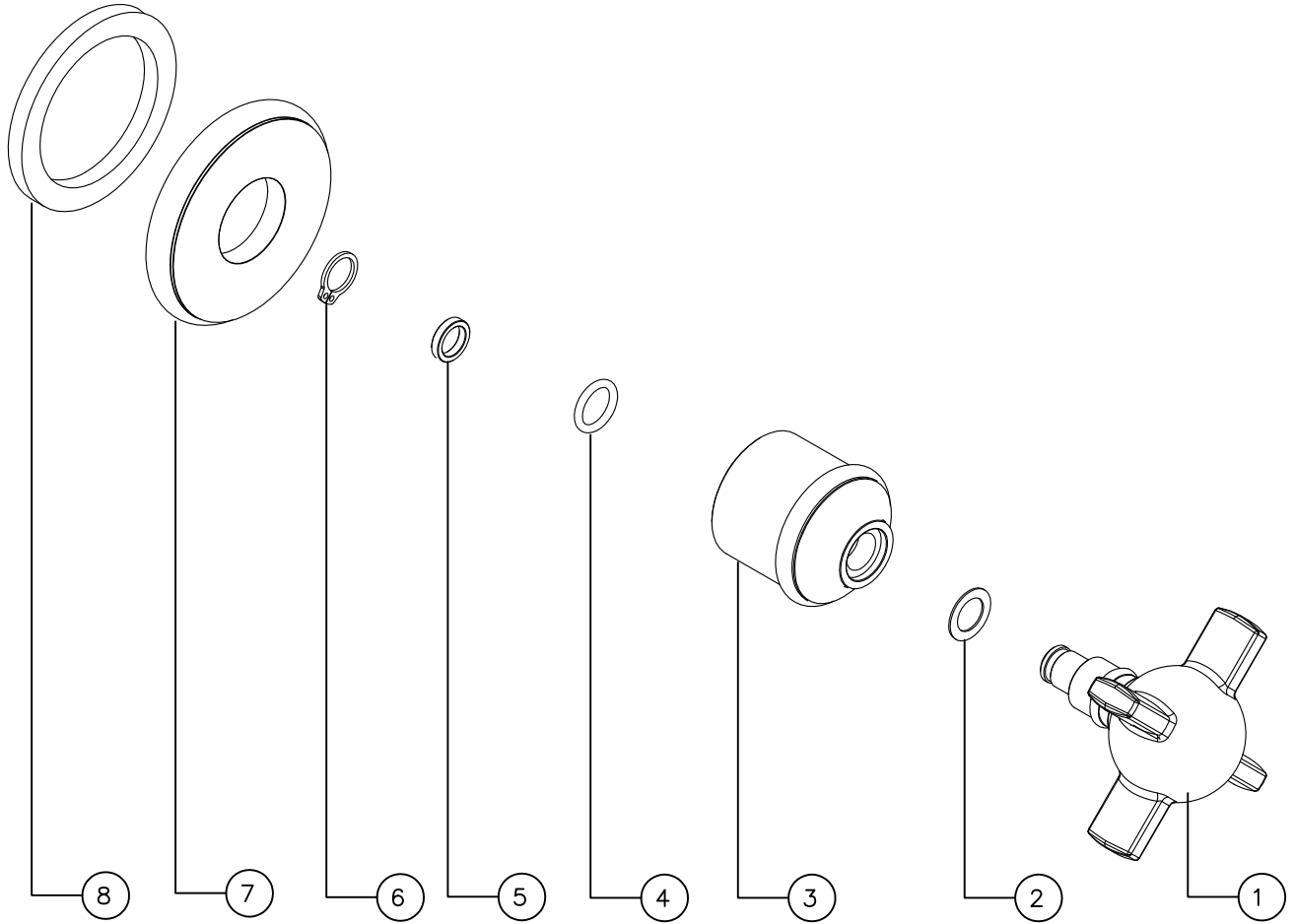
**INSPECT THE INSTALLATION:**

8. Operate the control valve to verify proper function.

If further assistance is required, please contact Product Support at 1-800-927-2120 (8am-6pm EST)

These guidelines have been prepared for the professional contractor to aid in the installation of: **OLYMPIA VOLUME CONTROL VALVE TRIM (OMSV01)**. All dimensions are based on original specification and are subject to change and variation. Please consult your Design Associate for current specifications.

**WATERWORKS**



PART NUMBER	DESCRIPTION	QTY.
1	Cross Handle, Control Valve, Assembly	1
2	Washer, 9.8mm ID x 14.3mm OD x 0.5mm Thickness, Plastic	1
3	Gland Cover, Olympia	1
4	O-Ring, 10mm ID x 2mm Width, Rubber	1
5	Washer, 10.5mm ID x 14.5mm OD, 3mm Thickness, Metal	1
6	C-Clip, 9.8mm ID x 12.4mm OD, 1.2mm Thickness, Metal	1
7	Escutcheon, Control Valve	1
8	Washer, 41mm ID x 53.5mm OD x 4.7mm Thickness, Rubber	1

These guidelines have been prepared for the professional contractor to aid in the installation of: OLYMPIA VOLUME CONTROL VALVE TRIM (OMSV01). All dimensions are based on original specification and are subject to change and variation. Please consult your Design Associate for current specifications.

**WATERWORKS**