

FRESNEL

Fresnel Ceiling Mounted Pendant with Glass Shade

FSLT01



SHOWN IN FRESNEL CEILING MOUNTED PENDANT WITH GLASS SHADE| FSLT01

TECHNICAL DETAILS

Bulb Base Size: E26
Bulb Type: A21
Depth / Width: 10 3/8"
Height: 22 9/16"
Interior / Exterior Application: Interior Only
Length: 10 3/8"
Number of Bulbs: One
Shade Finish: Clear
Shade Material: Holophane Glass
Voltage: 120
Wet / Dry: Damp or Dry

INSPIRATION

Influenced by weighty cast brass factory lights, the Fresnel pendant incorporates a heavy brass conic shade holder with a bezel held in place by delicate wing nuts, all hand polished to perfection. The oversized fluted shade offers diffuse task lighting.

CODES & STANDARDS

UL and CUL

PRODUCT FEATURES

Hand polished
Etched WW mark
Holophane glass shade
Prismatic
Uses (1) 150W Max Type A21, E26 Base Bulb

CERTIFICATIONS



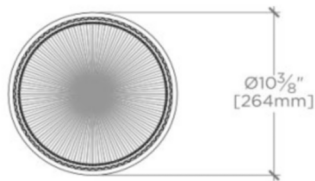
PRODUCT (NOTES)

105856 Fresnel Pendant Replacement Glass Shade. 105860 Fresnel Pendant Extra Stem 3". 105861 Fresnel Pendant Extra Stem 6". 105862 Fresnel Pendant Extra Stem 12". 105863 Fresnel Pendant Extra Stem 18"

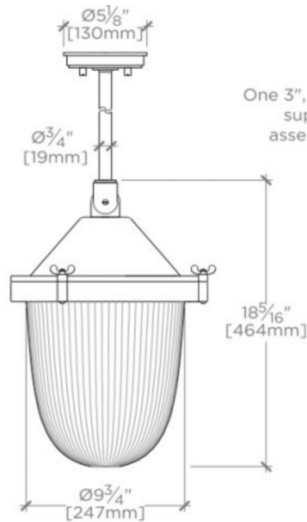
FRESNEL

FSLT01

Fresnel Ceiling Mounted Pendant with Glass Shade

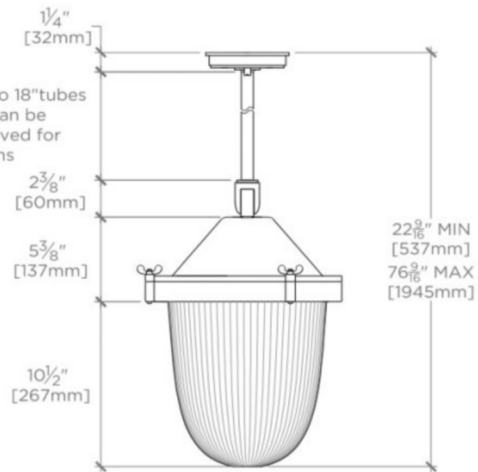


BOTTOM VIEW SCALE: 1"=1'-0"



FRONT VIEW SCALE: 1"=1'-0"

One 3", 6", 12", and two 18" tubes supplied. Tubes can be assembled or removed for varying lengths



SIDE VIEW

SCALE: 1"=1'-0"