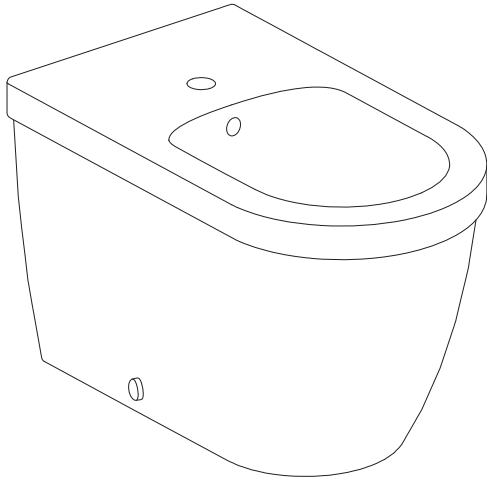


STYLE No. XLBD01



SPECIFICATIONS:

Bolt Cap Material: Plastic
Depth to Overflow: 4-1/8" [105mm]
Drain Hole Depth: 1-7/8" [48mm]
Drain Hole Diameter: Ø1-3/4" [Ø44mm]
Fittings Hole Depth: 1/2" [13mm]
Fittings Hole Diameter: Ø1-3/8" [Ø35mm]

IMPORTANT:

- To ensure this product is installed properly, you must read and follow these guidelines.
- The owner/user of this product must keep this information for future reference.
- This product must be installed by a professional licensed contractor. Be sure your installation conforms to all federal, state, and local codes.
- This product must be on-site prior to rough-in. This allows the installer to visualize the installation and verify dimensions.
- Inspect the product to ensure you have all the parts required for proper installation.

ROUGH-IN:

1. Install waste piping and supply valves (not included):
 - Waste rough-in: wall only - 4-1/4" from surface of finished floor.
 - Supply rough-in: wall only - 5-1/2" from surface of finished floor with 6" spread.
2. Install adequate blocking to properly secure the mounting brackets which will hold the bidet in place.

3. Place the bidet in the desired location based on the recommended dimensions. Mark the location of the mounting holes. See Figure - 01.

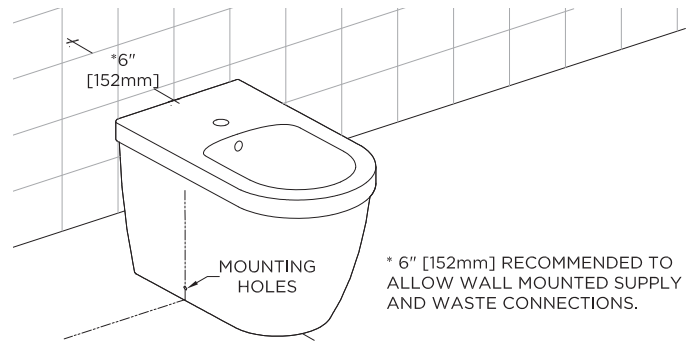


FIGURE - 01

4. Remove the bidet, dry-fit the mounting brackets and measure the center spread. See Figure - 02.

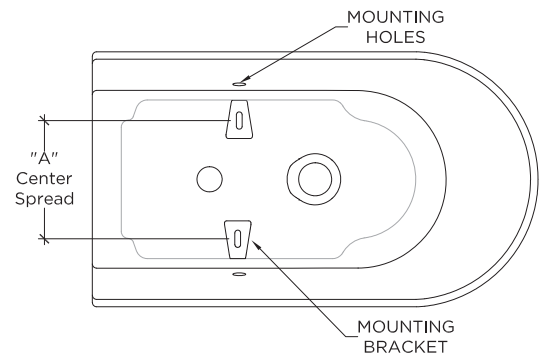


FIGURE - 02

5. Install the mounting brackets based on the markings made in STEP 3 and the spread dimension measured in STEP 4. See Figure - 03.

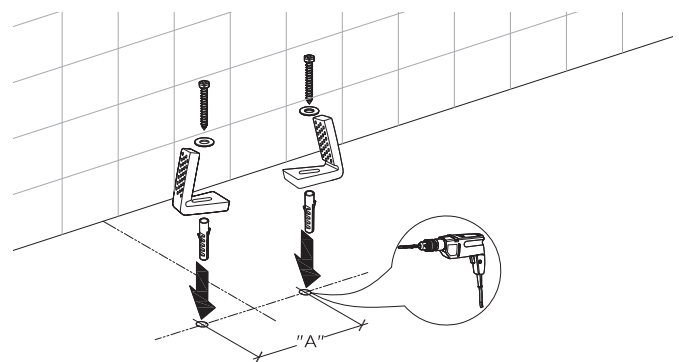


FIGURE - 03

6. After installing the bidet fittings (not supplied) and completing drain and supply connections, secure the bidet to the mounting brackets using the hardware provided. See Figure - 04.

These guidelines have been prepared for the professional contractor to aid in the installation of:
AXEL ONE HOLE HORIZONTAL BIDET (STYLE No.XLBD01).
All dimensions are based on original specification and are subject to change and variation.
Please consult your Design Associate for current specifications.

WATERWORKS

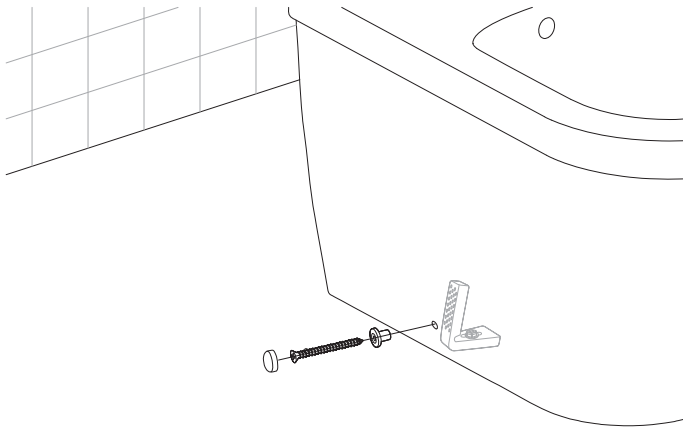


FIGURE - 04

7. Turn on the water and operate the drain to make sure the bidet is functioning properly. Inspect the installation for leaks.
- If further assistance is required, please contact Product Support at 1-800-927-2120 Monday through Friday, 8am - 6pm EST.

These guidelines have been prepared for the professional contractor to aid in the installation of:
AXEL ONE HOLE HORIZONTAL BIDET (STYLE No.XLBD01).
All dimensions are based on original specification and are subject to change and variation.
Please consult your Design Associate for current specifications.

W A T E R W O R K S