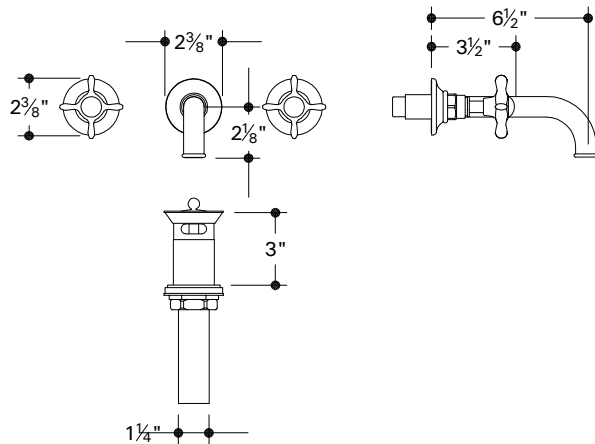


EALS61 (Cross Handles) & **GUSV27R** (Rough)



➤ Refer to the specification and assembly drawings attached. Faucet is sold partially assembled but shown fully disassembled for illustrative and service purposes only.

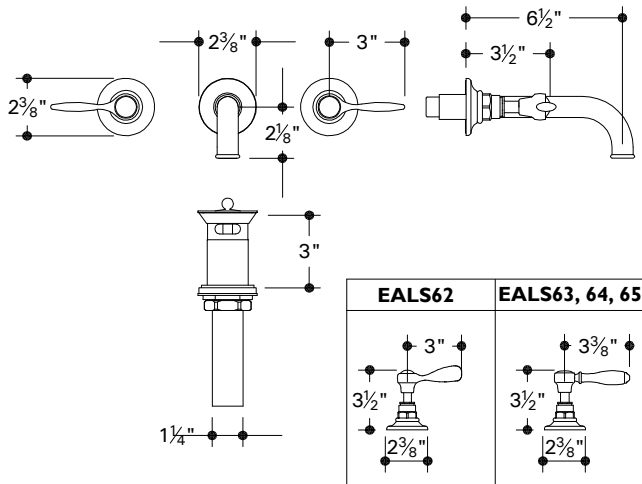
Check countertop and sink measurements to assure the spout projects far enough into the sink.

Inspect this product to assure you have all parts required for proper installation.

Use only a strap wrench or protected/smooth-jaw wrench on any finished surface.

Do NOT use putty during this installation.

EALS62 (Metal Lever Handles) & **GUSV25R** (Rough)
EALS63 (White Porcelain Lever Handles) & **GUSV25R** (Rough)
EALS64 (Black Porcelain Lever Handles) & **GUSV25R** (Rough)
EALS65 (Oak Lever Handles) & **GUSV25R** (Rough)



ROUGH-IN:

Rough in Depth: 3" from center of inlets to surface of the finished wall.

Rough in Height: 3 3/4" minimum from center of cartridge stem to surface of counter top to allow for lever handle clearance in the open position.

1. Run 1/2" hot and cold supply lines. The spread between supplies is 8" on center and is NOT adjustable.
2. Install a well supported 1/2" sweat x 1/2" female IPS adapter onto each supply line.
3. Verify the supplies are secure, level, at the proper spread of 8" and equal depths.
4. Remove the nuts (6) from the faucet body inlets then pull out the inlet adapters (6a,6b).
5. Slide the nut over the inlet adapter and thread them into the supplies. Use a 10 mm hex wrench to tighten the adapters.
6. Align the faucet body onto the supplies making sure that the o-ring (6b) does not get pinched then tighten the nuts (6) to secure the faucet.
7. Verify the supplies and faucet body are secure then turn on the supplies and check for leaks.

IMPORTANT

- **To ensure this product is installed properly, you must read and follow these guidelines.**
- **The owner/user of the faucet must keep this information for future reference.**
- This faucet must be on-site prior to rough in and allows the installer to visualize the installation and match the 8" center spread.
- Be sure your installation conforms to local codes.

8. Install 1/2" brass nipple and cap into spout tee (6g); this will be removed after wall is finished.

HANDLE INSTALLATION:

9. Pull the tile shield off the threaded sleeve (5) then thread the handle trim connector assembly (3-3d) onto the threaded sleeve until it stops.

10. Slide the escutcheon (2,2a) onto the handle trim connector assembly then thread on the handle assembly (1-1h).

11. Slide the escutcheon (2-2a) back until it contacts the gland nut (1e).

12. Measure the distance from the face of the finished wall to the back side of the escutcheon. This measurement will be the length of threaded sleeve that will be cut off in step 14.

13. Remove the handle assembly (1-1h), handle trim connector assembly (3-3d) and threaded sleeve (5).

14. Mark then cut the threaded sleeve the amount equal to what was measured in step 12. Do NOT cut the end of the threaded sleeve (5) that has internal threads or the handle trim connector assembly (3,3d).

15. Thread the threaded sleeve back onto the valve stem (4) and mark the stem at a point that is flush with the end of the threaded sleeve.

16. Remove the threaded sleeve and valve stem then cut the valve stem 1/2" BEYOND the mark made in step 15.

17. Reinstall the valve stem then the threaded sleeve and make sure the stem tip is 1/2" beyond the end of the sleeve.

18. Attach the handle trim connector and handle assembly to the threaded sleeve. Do not over-tighten the trim connector or the handle may bind.

19. Slide the escutcheon back against the nut. Adjust the handle trim connector to make sure there are no gaps between the escutcheon (2,2a) and nut (1e). If gaps remain, cut the threaded sleeve and/or the valve stem.

20. Remove the handle assembly (1-1h) and escutcheon (2,2a) then apply a bead of silicone to the back side of the escutcheon to create a seal against the wall. Reinstall the escutcheon and handle assembly.

SPOUT INSTALLATION:

21. To extend spout projection, install a 1/2" IPS brass nipple (7) (not supplied) of appropriate length and coupling (7a) (not supplied) into the spout tee (6g).

22. Wrap the nipple and spout adapter (7b) with Teflon tape.

23. Make sure the washer (7c) is fully inserted into the spout adapter (7b) then thread the spout adapter onto the coupling. The adapter can be tightened using a 3/8" hex wrench.

24. Slide the escutcheon (8,8a,8b) onto the spout then thread the spout onto the spout adapter.

DRAIN INSTALLATION

Note: This faucet does not use a lift rod to operate the drain stopper. Instead, it uses a lift and turn drain.

25. Disassemble the drain assembly and discard the upper gasket (12).

26. Set the upper collar (11) in the lavatory drain opening using a clear adhesive silicone.

27. Re-attach the lower drain assembly using the hardware provided then tighten until fully secured. A clear adhesive silicone may be used to ensure a water-tight seal between the upper gasket and lavatory.

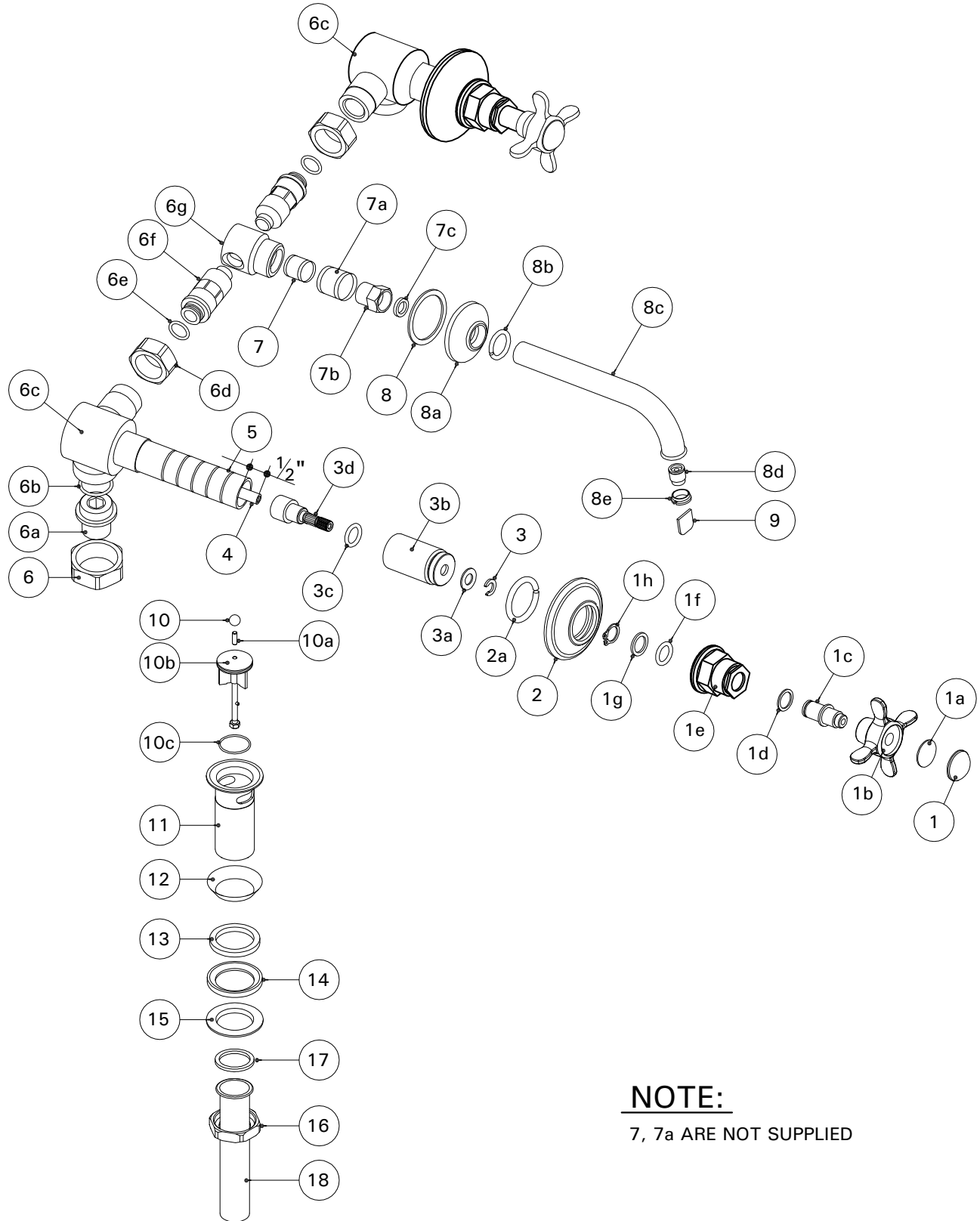
28. Attach the tail piece using the gasket (17) provided. Do NOT over-tighten the tailpiece nut (16); hand tight is adequate.

INSPECT THE INSTALLATION

29. Remove the flow restrictor assembly (8d,8e) from the spout using the tool (9) provided. Carefully open the hot and cold valves to flush out any debris in the supply lines.

30. Inspect all connections for leaks. Reinstall the flow restrictor assembly.

➤ If further assistance is required, please contact Product Support at 1-800-927-2120 (8am-7pm EST)



NOTE:
7, 7a ARE NOT SUPPLIED

PARTS TABLE		
ITEM NO.	DESCRIPTION	QTY.
1	INDICE	2
1a	INDICE TAPE	2
1b	HANDLE	2
1c	HANDLE STEM	2
1d	WASHER	2
1e	GLAND NUT	2
1f	O-RING	2
1g	WASHER	2
1h	CLIP	2
2	ESCUTCHEON	2
2a	O-RING	2
3	CLIP	2
3a	WASHER	2
3b	HANDLE TRIM CONNECTOR	2
3c	O-RING	2
3d	SPLINE ADAPTER	2
4	VALVE STEM	2
5	THREADED SLEEVE	2
6	NUT	2
6a	INLET ADAPTER	2
6b	O-RING	2
6c	VALVE BODY	2
6d	UNION	2
6e	O-RING	2
6f	COUPLING	2
6g	SPOUT TEE	1
7	NIPPLE (NOT SUPPLIED)	1
7a	COUPLING (NOT SUPPLIED)	1
7b	SPOUT ADAPTER	1
7c	WASHER	1
8	GASKET	1
8a	ESCUTCHEON	1
8b	O-RING	1
8c	SPOUT	1
8d	FLOW RESTRICTOR	1
8e	RESTRICTOR HOUSING	1
9	HOUSING TOOL	1
10	POP-UP HANDLE	1
10a	SCREW	1
10b	POP-UP	1
10c	O-RING	1
11	DRAIN COLLAR	1
12	GASKET	1
13	BOTTOM GASKET	1
14	COLLAR	1
15	DRAIN NUT	1
16	TAILPIECE NUT	1
17	TAILPIECE WASHER	1
18	TAILPIECE	1