

AXEL

Axel One Hole Horizontal Bidet

XLBD01



SHOWN IN AXEL ONE HOLE HORIZONTAL BIDET XLBD01

TECHNICAL DETAILS

Assembly / Configuration: One Piece
Bolt Cap Material: Plastic
Depth to Overflow: 105 mm
Drain Hole Depth: 48 mm
Drain Hole Diameter: 44 mm
Fittings Hole Depth: 13 mm
Fittings Hole Diameter: 35 mm
Installation Notes: It is recommended that the bidet be placed 6" from finished wall to allow wall mounted supply and waste connections.
Depth / Width: 621 mm
Height: 400 mm
Length: 356 mm
Number of Holes: One Hole
Overflow Opening: Yes

INSPIRATION

Axel adds a modern, sculptural element to contemporary bathroom design. Elemental shapes and a sleek finish combine to create a refined and assertive statement.

PRODUCT FEATURES

Brings a touch of modern European convenience to the bathroom.
Cast of pristine white vitreous china.
Designed to work with any one hole bidet.
Supply kits available separately.

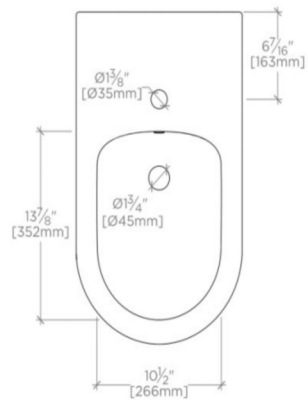
PRODUCT (NOTES)

Dimensions of fixtures are nominal. Measure your actual product for rough-in details.

AXEL

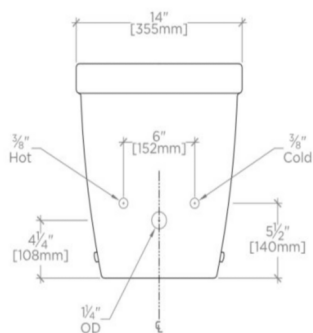
Axel One Hole Horizontal Bidet

XLBD01

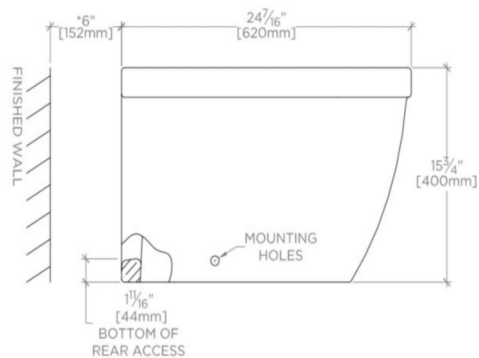


TOP VIEW SCALE: 1"=1'-0"

* 6" [152mm] RECOMMENDED TO ALLOW WALL MOUNTED SUPPLY AND WASTE CONNECTIONS.



FRONT VIEW SCALE: 1"=1'-0"



SIDE VIEW SCALE: 1"=1'-0"