

## AXEL

Axel One Hole Horizontal Bidet

XLBD01



SHOWN IN AXEL ONE HOLE HORIZONTAL BIDET | XLBD01

### TECHNICAL DETAILS

Assembly / Configuration: One Piece  
Bolt Cap Material: Plastic  
Depth to Overflow: 4 1/8"  
Drain Hole Depth: 1 7/8"  
Drain Hole Diameter: 1 3/4"  
Fittings Hole Depth: 1/2"  
Fittings Hole Diameter: 1 3/8"  
Depth / Width: 24 7/16"  
Height: 15 3/4"  
Length: 14"  
Number of Holes: One Hole  
Overflow Opening: Yes

### INSPIRATION

Axel adds a modern, sculptural element to contemporary bathroom design. Elemental shapes and a sleek finish combine to create a refined and assertive statement.

### PRODUCT FEATURES

Brings a touch of modern European convenience to the bathroom.  
Cast of pristine white vitreous china.  
Supply kits available separately.



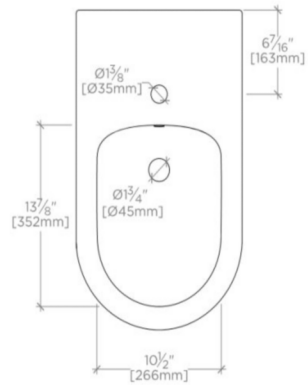
### PRODUCT (NOTES)

Dimensions of fixtures are nominal. Measure your actual product for rough-in details.

## AXEL

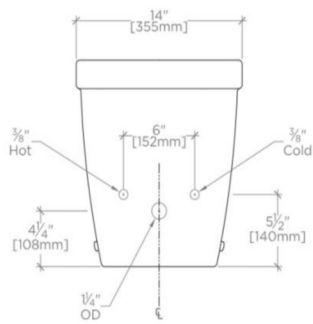
XLBD01

Axel One Hole Horizontal Bidet

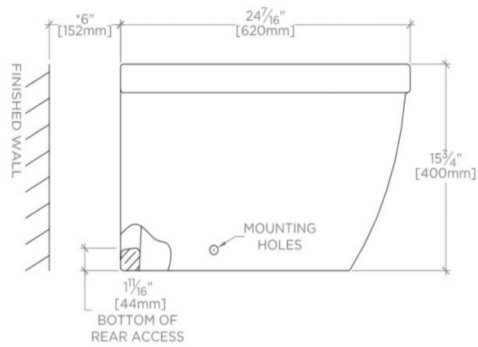


TOP VIEW SCALE: 1"=1'-0"

\* 6" [152mm] RECOMMENDED TO ALLOW WALL MOUNTED SUPPLY AND WASTE CONNECTIONS.



FRONT VIEW SCALE: 1"=1'-0"



SIDE VIEW SCALE: 1"=1'-0"