

ETOILE

Etoile One Hole Bidet Fitting with Cross Handles

ETBF30



SHOWN IN ETOILE ONE HOLE BIDET FITTING WITH CROSS HANDLES| ETBF30

TECHNICAL DETAILS

ADA Compliance: Yes
 Adjustable versus Fixed Spray: Fixed Spray
 Deck Thickness Maximum: 2 1/4"
 Deck Thickness Minimum: 0"
 Drain Assembly Materials: Brass
 Drain Depth Maximum: 1 3/4"
 Drain Hole Diameter: 1 3/4"
 Drain Style: Pop-up
 Escutcheon Primary Material: Brass
 Fittings Hole Diameter: 1 3/8"
 Handle Spread Maximum: 5.6"
 Handle Spread Minimum: 5.6"
 Handle Turn Angle: Quarter Turn
 Index Color / Finish and Material: White Porcelain
 Depth / Width: 6 1/2"
 Drain Depth Minimum: 1 3/8"
 Height: 4 3/4"
 Index Marking: Hot/Cold
 Inlet Connection Size: 3/8"
 Inlet Connection Type: O.D. Supply Tubing
 Installation Type: Deck Mounted
 Length: 7"
 Number of Handles: Two
 Number of Holes: One Hole
 Pivot: N
 Primary Material: Brass
 Spout Swivel: Y
 Suggested Application: Bath
 Valve Material: Ceramic
 Water Pressure Maximum: 85.0 psi
 Water Pressure Minimum: 20.0 psi
 Water Pressure Recommended: 45.0 psi

INSPIRATION

Defined elegance. Etoile has a European sophistication with a timeless sense of chic.

CODES & STANDARDS

Code # ETBF30: Certified with IAPMO & State of MA. Compliant with ASME A112.18.1/CSA B125.1, ASME A112.18.2/CSA B125.2, ANSI A117.1 ADA & ASTM E 1621-05

PRODUCT FEATURES

Metal cross handles
 Swivel spray head
 Features dew-drop designed cross handles and graceful, elongated curves
 Stocked in Chrome, Nickel, Matte Nickel, and Unlacquered Brass

CERTIFICATIONS



PRODUCT (NOTES)

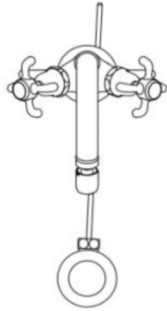
Coordinating supply kit available to complete the Waterworks aesthetic.

WATERWORKS

ETOILE

ETBF30

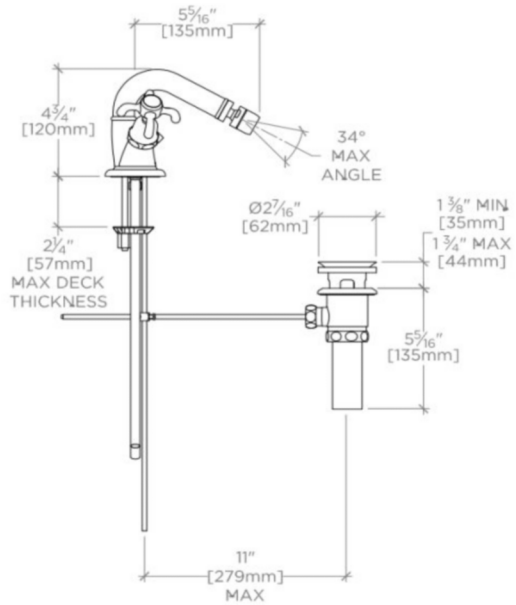
Etoile One Hole Bidet Fitting with Cross Handles



TOP VIEW SCALE: 1 1/2"=1'-0"



FRONT VIEW SCALE: 1 1/2"=1'-0"



SIDE VIEW SCALE: 1 1/2"=1'-0"