

ARCATA

Arcata 1 3/4" Drop Pull

ARHW03



SHOWN IN ARCATA 1 3/4\"/>

TECHNICAL DETAILS

Height: 2 9/16"
Length: 2"

INSPIRATION

Elemental and sculptural, Arcata draws strength from its simplicity. Fixed and dropped pulls are dramatically formed from a sturdy tapered slab of solid brass.

PRODUCT FEATURES

Simple and sculptural

Solid brass

Includes per fixing: Machine Screw-POSI/Slot Head M4 X 50MM Breakoff

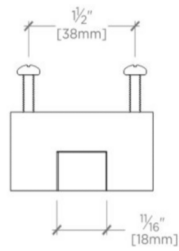


ARCATA

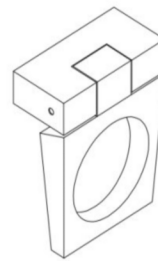
Arcata 1 3/4" Drop Pull

ARHW03

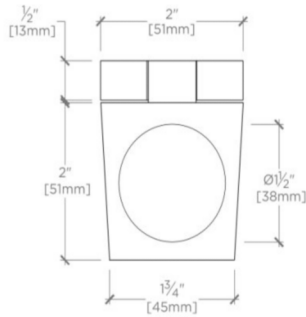
MOUNTING HARDWARE INCLUDED		
STYLE #	DESCRIPTION	QTY
998771	Service Parts M4 X 50 Mild Steel Pozil/Slot Washer Head Break Off Screw	2



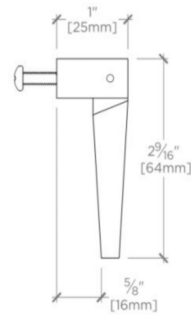
TOP VIEW SCALE: 6"=1'-0"



ISO VIEW SCALE: 6"=1'-0"



FRONT VIEW SCALE: 6"=1'-0"



SIDE VIEW SCALE: 6"=1'-0"