

## UNIVERSAL

## UNMS33

Universal Angle Watercloset Supply Kits 1/2" Sweat x 3/8" O.D.  
Compression



SHOWN IN UNIVERSAL ANGLE WATERCLOSET SUPPLY KITS 1/2" SWEAT X 3/8" O.D. COMPRESSION | UNMS33

### TECHNICAL DETAILS

ADA Compliance: Yes  
Escutcheon Primary Material: Brass  
Depth / Width: 8"  
Height: 13 1/2"  
Inlet Connection Size: 1/2"  
Inlet Connection Type: Sweat  
Length: 2 3/16"  
Outlet Connection Size: 3/8"  
Outlet Connection Type: Compression  
Primary Material: Brass  
Suggested Application: Bath  
Water Pressure Maximum: 85.0 psi  
Water Pressure Minimum: 20.0 psi  
Water Pressure Recommended: 45.0 psi

### INSPIRATION

Our Universal collection features timeless designs complementing any of our Waterworks. With a wide range of product, from fittings to accessories, Universal adds exquisite proportion and balance to any environment.

### CODES & STANDARDS

Code # FDMS33: ASME A112.18.1 / CSA B125.1, IAPMO, State of MA

### PRODUCT FEATURES

Created specifically to complement any bathroom aesthetic, the Universal watercloset supply kit adds a timeless touch of elegant to your plumbing.

This item is stocked in a Chrome, Nickel or Matte Nickel finishes and additional made-to-order finish options are available in 12 weeks from purchase

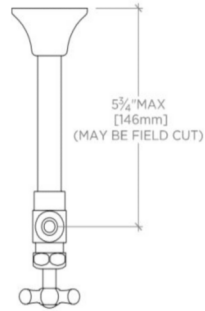


# WATERWORKS

## UNIVERSAL

UNMS33

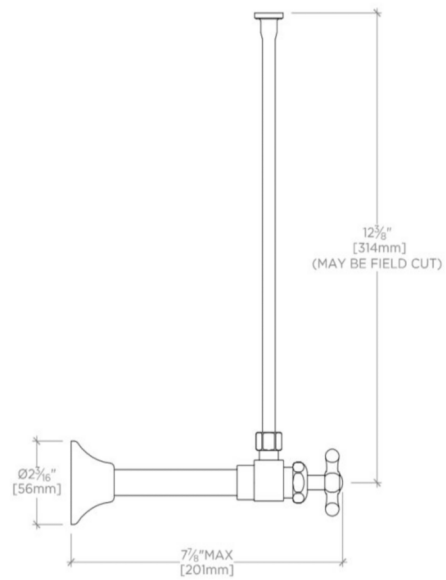
Universal Angle Watercloset Supply Kits 1/2" Sweat x 3/8" O.D.  
Compression



TOP VIEW SCALE: 3"=1'-0"



FRONT VIEW SCALE: 3"=1'-0"



SIDE VIEW SCALE: 3"=1'-0"