

EASTON

EA21PF

Easton Classic Wall Mounted Extension Pot Filler with Metal Cross Handles



SHOWN IN EASTON CLASSIC WALL MOUNTED EXTENSION POT FILLER, METAL CROSS HANDLE| EAPF21

TECHNICAL DETAILS

ADA Compliance: Yes
Adjustable versus Fixed Spray: Fixed Spray
Escutcheon Primary Material: Brass
Fittings Hole Diameter: 32 mm
Handle Turn Angle: Quarter Turn
Index Color / Finish and Material: White Porcelain
Depth / Width: 343 mm
Height: 203 mm
Index Marking: Cold
Inlet Connection Size: 1/2"
Inlet Connection Type: Male G/BSPP
Installation Type: Wall Mounted
Length: 60 mm
Number of Handles: One
Number of Holes: One Hole
Primary Material: Brass
Spout Swivel: Y
Suggested Application: Bar, Kitchen, Laundry
Valve Material: Ceramic
Water Pressure Maximum: 5.0 bar
Water Pressure Minimum: 1.5 bar
Water Pressure Recommended: 3.0 bar

INSPIRATION

Drawing on Edwardian style, Easton is the most extensive Waterworks family; a range of moods and a selection of products from fittings to furniture.

CODES & STANDARDS

Code # : ASME A112.18.1 / CSA B125.1, NSF

PRODUCT FEATURES

Brass metal is used for all trim and valve components

The manufacturing process encompasses casting, turning, forging, hand-fitting and hand polishing.

Easton is our most comprehensive fittings family.

Easton has a clean-lined utilitarian profile, with a slightly elongated spout.

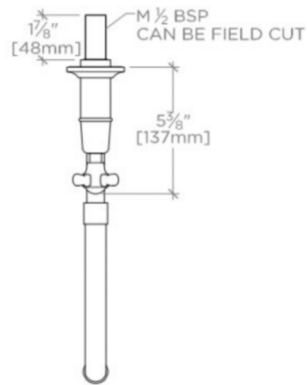
WATERWORKS

EASTON

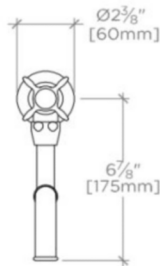
EA21PF

Easton Classic Wall Mounted Extension Pot Filler with Metal Cross Handles

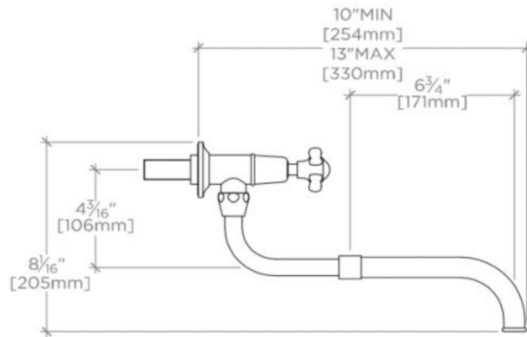
ADAPTER(S) PACKAGED SEPARATELY		
ADAPTER	DESCRIPTION	QTY
UNUK04	1/2" NPT Male x 1/2" Male Nipple 50mm Long BSP	1



TOP VIEW SCALE: 1 1/2"=1'-0"



FRONT VIEW SCALE: 1 1/2"=1'-0"



SIDE VIEW SCALE: 1 1/2"=1'-0"