

HENRY

Henry Wall Mounted Single Arm Sconce with Glass Shade

HN03LT



SHOWN IN HENRY WALL MOUNTED SINGLE ARM SCONCE WITH GLASS SHADE | HNLT03

TECHNICAL DETAILS

Ambient / Task: Ambient
Bulb Base Size: E27
Escutcheon Primary Material: Brass
Bulb Type: Edison Filament
Depth / Width: 200 mm
Height: 394 mm
Installation Type: Wall Mounted
Interior / Exterior Application: Interior Only
Junction Box Orientation: Any
Length: 170 mm
Light Direction: Down or out from the light fixture depending on the orientation when mounted.
Number of Bulbs: One
Primary Material: Brass
Safety Warnings: Do not exceed max wattage.
Shade Finish: Clear
Shade Material: Glass
Shade Shape: Cone
Suggested Application: All Applications
Voltage: 240
Wet / Dry: Damp or Dry

INSPIRATION

Influenced by the connection of industry and art Henry easily transitions between modern, traditional, utilitarian and classic settings.

CODES & STANDARDS

CE, IP4X

PRODUCT FEATURES

Proprietary design

Brass and hand-worked glass

CE rated

Sconce may be hung with shade turning up or down

Uses (1) E27 Edison Filament Style Bulb, 75 watts, not included

PRODUCT (NOTES)

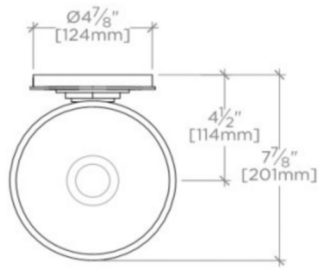
See UK reference chart. Do not exceed max wattage.

WATERWORKS

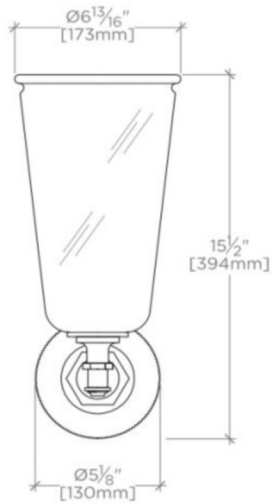
HENRY

HN03LT

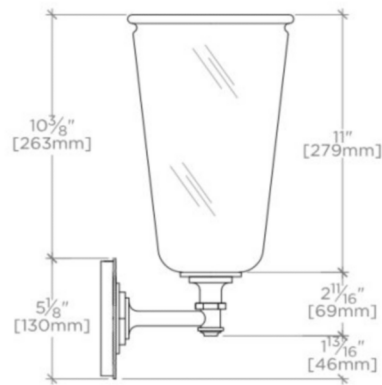
Henry Wall Mounted Single Arm Sconce with Glass Shade



TOP VIEW SCALE: $1\frac{1}{2}"=1'-0"$



FRONT VIEW SCALE: $1\frac{1}{2}"=1'-0"$



SIDE VIEW SCALE: $1\frac{1}{2}"=1'-0"$