

DERBY

DY03LT

Derby Ceiling Mounted Pendant with Metal Shade



SHOWN IN DERBY CEILING MOUNTED PENDANT WITH METAL SHADE| DYLT03

TECHNICAL DETAILS

Ambient / Task: Task
Bulb Base Size: E27
Bulb Type: Edison Filament
Depth / Width: 360 mm
Height: 567 mm
Installation Type: Ceiling Mounted
Interior / Exterior Application: Interior Only
Junction Box Orientation: Any
Length: 360 mm
Number of Bulbs: One
Primary Material: Brass
Safety Warnings: Do not exceed max wattage
Shade Finish: Match to Fixture
Shade Material: Brass
Shade Shape: Dome
Voltage: 240.0
Wet / Dry: Damp or Dry

INSPIRATION

Inspired by library lights, Derby is traditional with curves that lend playful character. Demonstrating a cleaned-up sensibility, the sconce's pivoting shades allow for direct or reflected light.

CODES & STANDARDS

CE

PRODUCT FEATURES

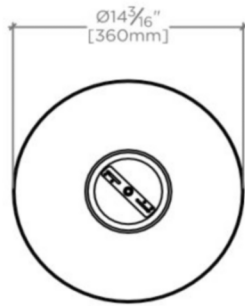
Swivel knob for directing light
Solid brass
Uses 60 Watt Edison Filament Bulb (not included)
CE Listed

WATERWORKS

DERBY

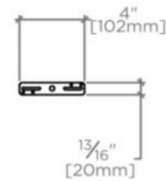
DY03LT

Derby Ceiling Mounted Pendant with Metal Shade



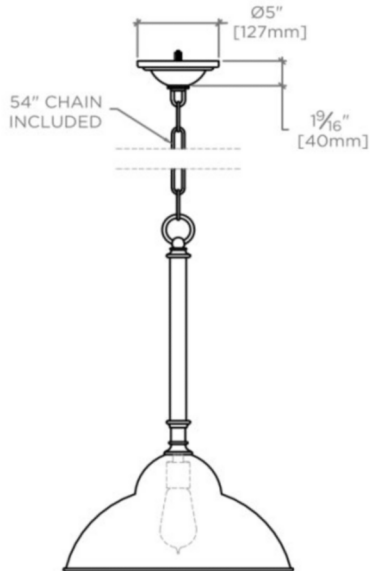
TOP VIEW

SCALE: 1"=1'-0"



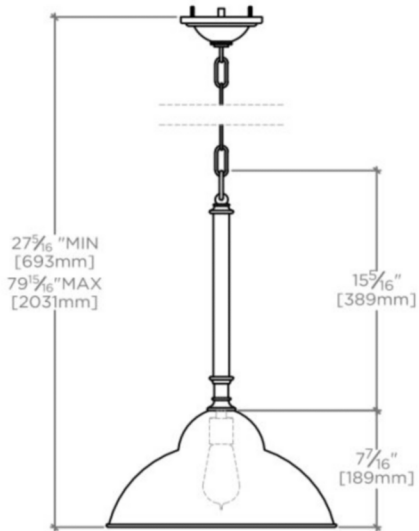
MOUNTING PLATE

SCALE: 1"=1'-0"



FRONT VIEW

SCALE: 1"=1'-0"



SIDE VIEW

SCALE: 1"=1'-0"