

## REGULATOR

RG71LS

Regulator Low Profile Three Hole Wall Mounted Lavatory Faucet with Metal Lever Handles



SHOWN IN REGULATOR LOW PROFILE THREE HOLE WALL MOUNTED LAVATORY FAUCET WITH METAL LEVER HANDLES]

### TECHNICAL DETAILS

Adjustable versus Fixed Spray: Fixed  
Control Valve Rough-in Depth Maximum: 140 mm  
Control Valve Rough-in Depth Minimum: 67 mm  
Drain Hole Diameter: 44 mm  
Drain Style: Push Touch  
Escutcheon Primary Material: Brass  
Fittings Hole Diameter: 35 mm  
Handle Spread Maximum: 203 mm  
Handle Spread Minimum: 203 mm  
Handle Turn Angle: Quarter Turn  
Depth / Width: 225 mm  
Height: 127 mm  
Inlet Connection Size: 1/2"  
Inlet Connection Type: Female NPT  
Inlet Supply Spread Maximum: 203 mm  
Inlet Supply Spread Minimum: 203 mm  
Length: 321 mm  
Primary Material: Brass  
Suggested Application: Bath  
Water Pressure Maximum: 6.0 bar  
Water Pressure Minimum: 1.5 bar  
Water Pressure Recommended: 3.0 bar

### INSPIRATION

A play on industrial controls from the early 1900s, when pride was lavished on parts. Translated to handcrafted, fittings project rugged beauty through powerful, detailed shapes.

### PRODUCT FEATURES

Metal Lever Handle

Stocked in Nickel, Chrome and Unlacquered Brass

Standard flow rate is 2.2gpm (8.3 L/min) and State of California requires 1.2gpm(4.5 L/min). Also available in other flow options. Contact a sales associate for details.

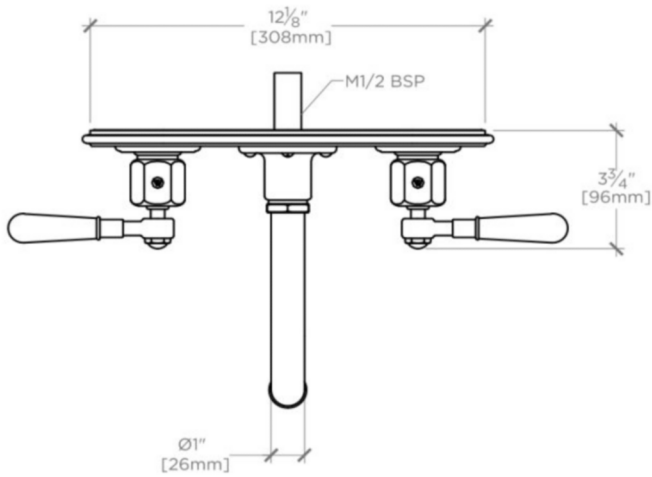
# WATERWORKS

## REGULATOR

RG71LS

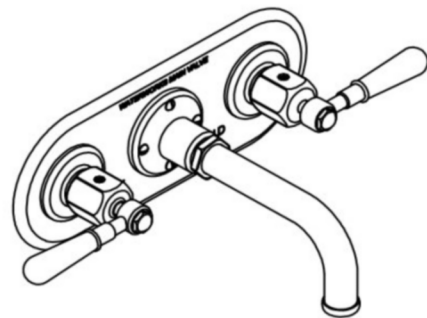
Regulator Low Profile Three Hole Wall Mounted Lavatory Faucet with Metal Lever Handles

ADAPTER(S) PACKAGED SEPARATELY		
ADAPTER	DESCRIPTION	QTY
UNUK04	1/2" NPT Male x 1/2" Male Nipple 50mm Long BSP	1



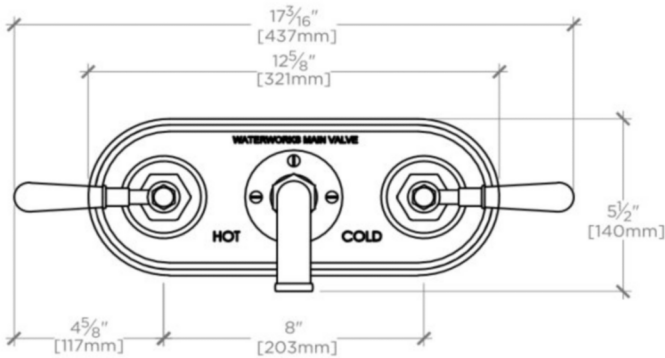
TOP VIEW

SCALE: 2"=1'-0"



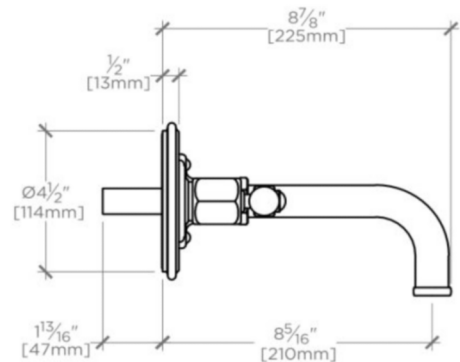
ISO VIEW

SCALE: 2"=1'-0"



FRONT VIEW

SCALE: 2"=1'-0"



SIDE VIEW

SCALE: 2"=1'-0"