

WATERWORKS

AMELIE

AMTF09

Amelie Deck Mounted High Profile Concealed Tub Filler with White Porcelain Handshower and Metal Cross Handles



SHOWN IN NICKEL WITH CROSS HANDLES

TECHNICAL DETAILS

ADA Compliance: No
Adjustable versus Fixed Spray: Fixed Spray
Deck Thickness Maximum: 1 1/2"
Deck Thickness Minimum: 0"
Diameter of Head: 3"
Escutcheon Primary Material: Brass
Fittings Hole Diameter: 1 3/8"
Flow Restriction Options: 2.0, 1.75, 1.5, 0.92
Handle Spread Maximum: 12"
Handle Spread Minimum: 10"
Handle Turn Angle: Quarter Turn
Handshower / Spray Hose Length: 79"
Index Color / Finish and Material: White Porcelain
Depth / Width: 11 1/2"
Height: 10"
Index Marking: Hot/Cold
Inlet Connection Size: 3/4"
Inlet Connection Type: Male NPT Adapter
Inlet Supply Spread Maximum: 12"
Inlet Supply Spread Minimum: 10"
Installation Type: Deck Mounted
Integrated Diverter: N
Length: 17 1/4"
Number of Handles: Two
Number of Holes: Four Hole
Pivot: N
Primary Material: Brass
Restricted Maximum Flow Rate: 2.5 gpm
Spout Reach: 9 1/4"
Spout Swivel: N
Suggested Application: Bath
Valve Material: Ceramic
Water Pressure Maximum: 85.0 psi
Water Pressure Minimum: 20.0 psi
Water Pressure Recommended: 45.0 psi

INSPIRATION

The ultimate in decorative, luxurious fittings with no apologies for its lack of restraint. Amelie offers curves, moldings and detailing combined to create an over-the-top effect which is luxurious, Old World and elegant.

CODES & STANDARDS

Code # AMTU09: ASME A112.18.1, CSA B125, IAPMO, State of MA

PRODUCT FEATURES

Brass material is used for all trim and valve component parts.

The manufacturing process encompasses casting, turning, forging, hand-fitting and hand polishing.

Standard flow rate is 2.5gpm for handshower only. Also available in high efficient flow options.

Contact your sales associate or call 1 (800) 899-6757 for details.

CERTIFICATIONS

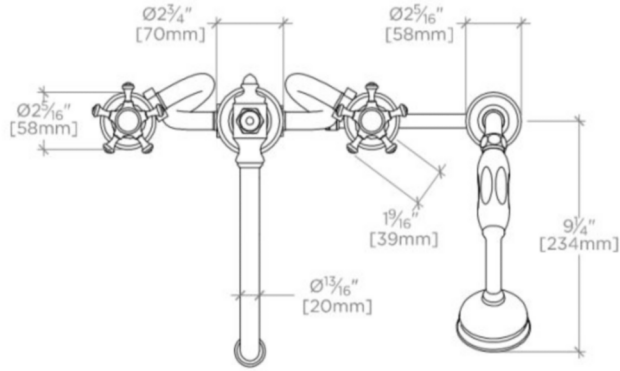


WATERWORKS

AMELIE

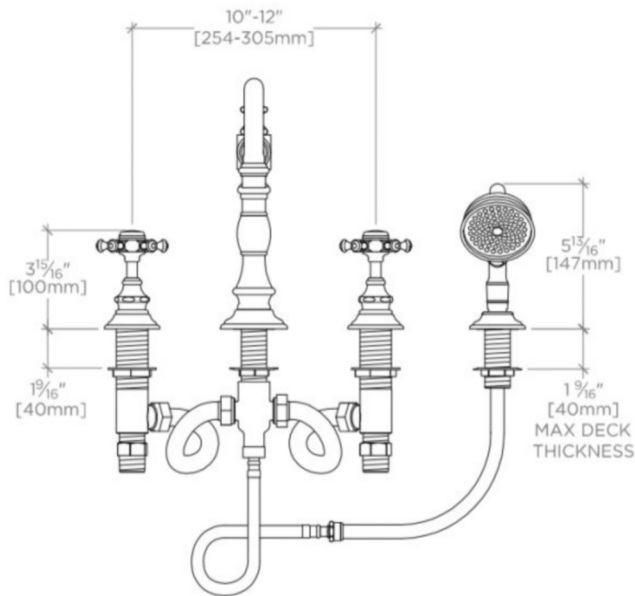
AMTF09

Amelie Deck Mounted High Profile Concealed Tub Filler with White Porcelain Handshower and Metal Cross Handles



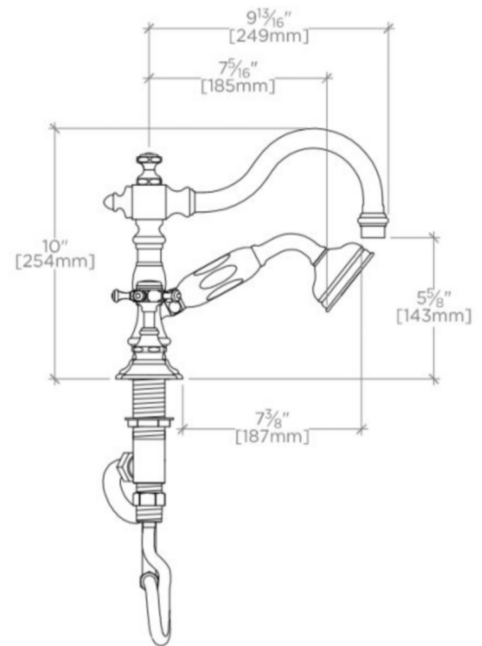
TOP VIEW

SCALE: 1 1/2"=1'-0"



FRONT VIEW

SCALE: 1 1/2"=1'-0"



SIDE VIEW

SCALE: 1 1/2"=1'-0"