

## HAMILTON

## HM01LT

Hamilton Wall Mounted Single Arm Sconce with Glass Shade



SHOWN IN HAMILTON WALL MOUNTED SINGLE ARM SCONCE WITH GLASS SHADE| HMLT01

### TECHNICAL DETAILS

Ambient / Task: Ambient  
Bulb Base Size: E27  
Bulb Type: E27 Ball  
Depth / Width: 210 mm  
Height: 270 mm  
Installation Type: Wall Mounted  
Interior / Exterior Application: Interior Only  
Junction Box Orientation: Any  
Length: 178 mm  
Light Direction: Down and through the shade  
Number of Bulbs: One  
Orientation: Up  
Primary Material: Brass  
Safety Warnings: Do not exceed max wattage.  
Shade Shape: Cylinder  
Suggested Application: All Applications  
Voltage: 240  
Wet / Dry: Damp or Dry

### INSPIRATION

Is utilitarian in feel pulling inspiration from vintage ship passageway lighting.

### CODES & STANDARDS

CE, IP44

### PRODUCT FEATURES

Use Bulb type E27/Ball, 60 watts for T-10 bulbs and 100 watts for A-19 bulbs

Made of Brass

Cylinder Shade

Wall Mounted

### PRODUCT (NOTES)

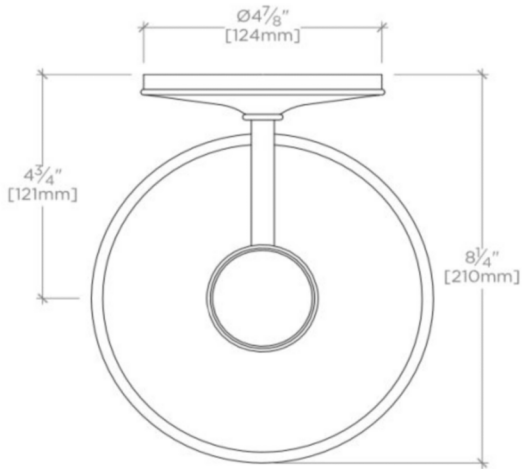
See UK reference chart. Do not exceed max wattage.

# WATERWORKS

## HAMILTON

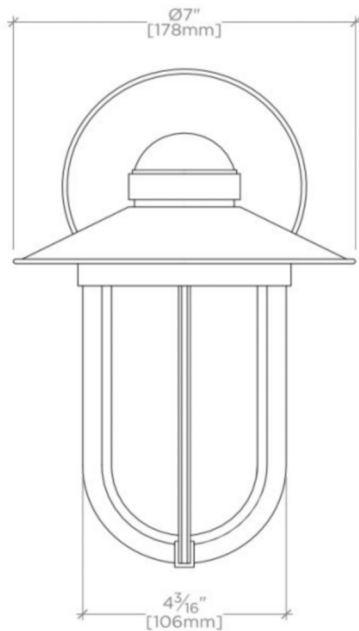
HM01LT

Hamilton Wall Mounted Single Arm Sconce with Glass Shade



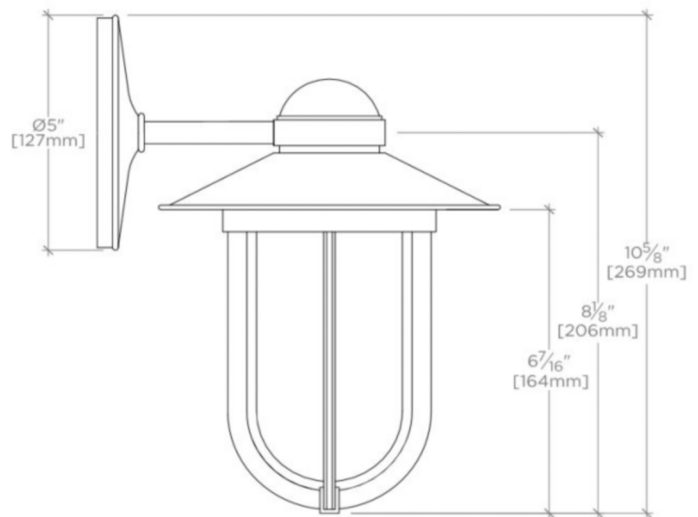
TOP VIEW

SCALE: 3"=1'-0"



FRONT VIEW

SCALE: 3"=1'-0"



SIDE VIEW

SCALE: 3"=1'-0"