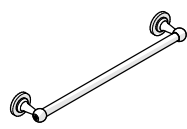
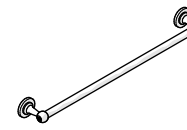


WATERWORKS

INSTALLATION GUIDELINES



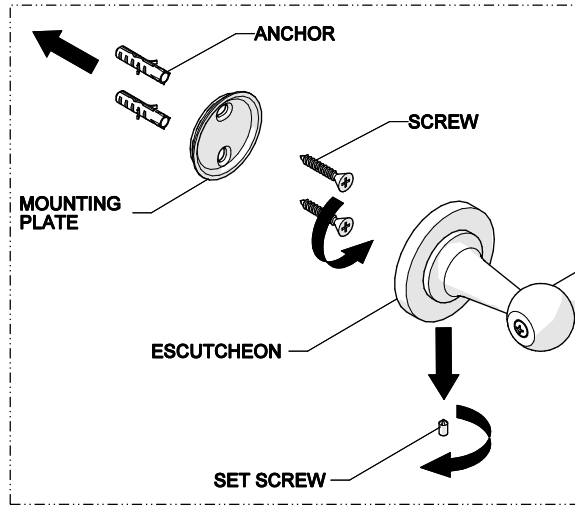
STYLE No. DSTB18
Dash 18" Wall Mounted Towel Bar



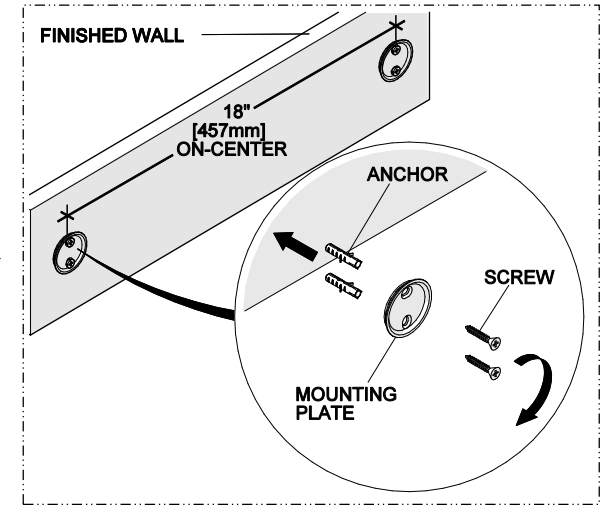
STYLE No. DSTB24
Dash 24" Wall Mounted Towel Bar

IMPORTANT:

- To ensure this product is installed properly, you must read and follow these guidelines.
- The owner/user of this product must keep this information for further reference.
- This product must be installed by a professional licensed contractor.
- Inspect this product to ensure you have all the parts required for proper installation.

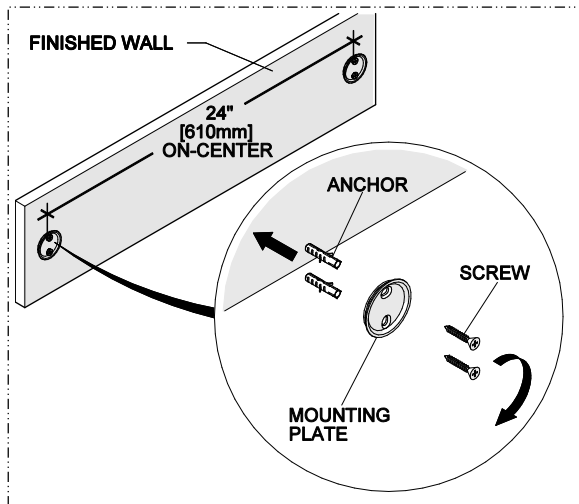


1. Unthread the SET SCREW and remove the MOUNTING PLATE, SCREWS and ANCHORS from the TOWEL BAR.



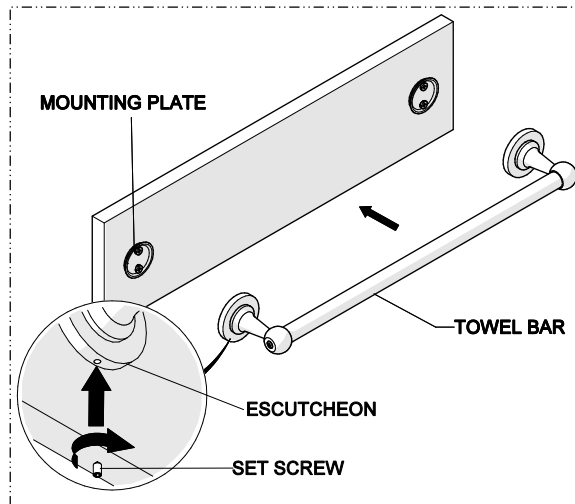
FOR DSTB18:

2. Secure the MOUNTING PLATE onto the finished wall using the SCREWS provided making sure the on-centre distance between the MOUNTING PLATE is 18" [457mm].
NOTE: Blocking is required but ANCHORS are provided if only dry wall is installed.



FOR DSTB24:

3. Secure the MOUNTING PLATE onto the finished wall using the SCREWS provided making sure the on-centre distance between the MOUNTING PLATE is 24" [610mm].
NOTE: Blocking is required but ANCHORS are provided if only dry wall is installed.



4. Place the TOWEL BAR over the MOUNTING PLATE then thread and securely tighten the SET SCREW into the ESCUTCHEON.