

DERBY

DY01LT

Derby Wall Mounted Single Large Hook Arm Sconce with Metal Shade



SHOWN IN DERBY WALL MOUNTED SINGLE LARGE HOOK ARM SCONCE WITH METAL SHADE| DYLTO1

TECHNICAL DETAILS

Ambient / Task: Task
Bulb Base Size: E27
Max Wattage: 60 Watt
Shade Size (L x W x H): 9"D
Bulb Type: Edison Filament
Depth / Width: 387 mm
Height: 352 mm
Installation Type: Wall Mounted
Interior / Exterior Application: Interior Only
Junction Box Orientation: Any
Length: 225 mm
Number of Bulbs: One
Orientation: Down
Primary Material: Brass
Required Electrical Feeds: Brown or "Line" wire, blue or "Neutral" wire and a green/yellow striped or bare "Earth" wire.
Safety Warnings: Do not exceed max wattage
Shade Finish: Match to Fixture
Shade Material: Brass
Shade Shape: Dome
Voltage: 240.0
Wet / Dry: Damp or Dry

INSPIRATION

Inspired by library lights, Derby is traditional with curves that lend playful character. Demonstrating a cleaned-up sensibility, the sconce's pivoting shades allow for direct or reflected light.

CODES & STANDARDS

CE

PRODUCT FEATURES

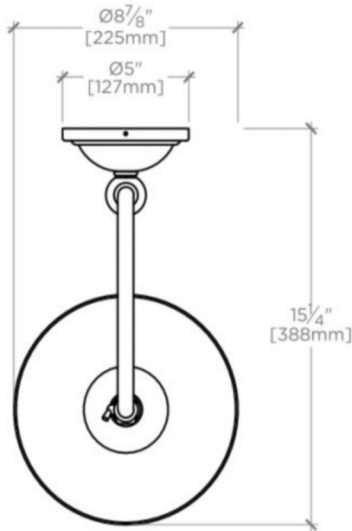
Swivel knob for directing light
Solid brass
Uses 60 Watt Edison Filament Bulb (not included)
CE Listed

WATERWORKS

DERBY

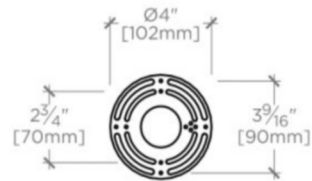
DY01LT

Derby Wall Mounted Single Large Hook Arm Sconce with Metal Shade



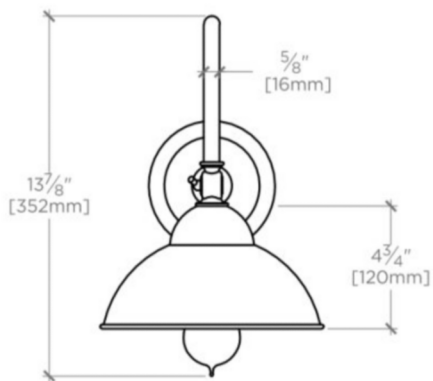
TOP VIEW

SCALE: $1\frac{1}{2}"=1'-0"$



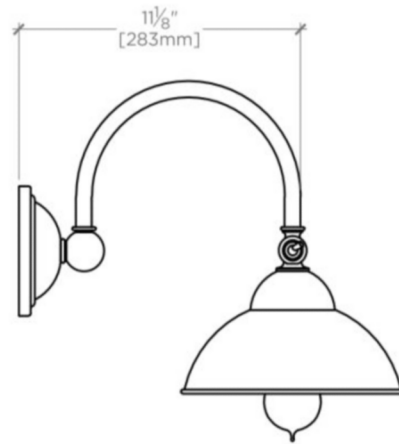
MOUNTING PLATE

SCALE: $1\frac{1}{2}"=1'-0"$



FRONT VIEW

SCALE: $1\frac{1}{2}"=1'-0"$



SIDE VIEW

SCALE: $1\frac{1}{2}"=1'-0"$