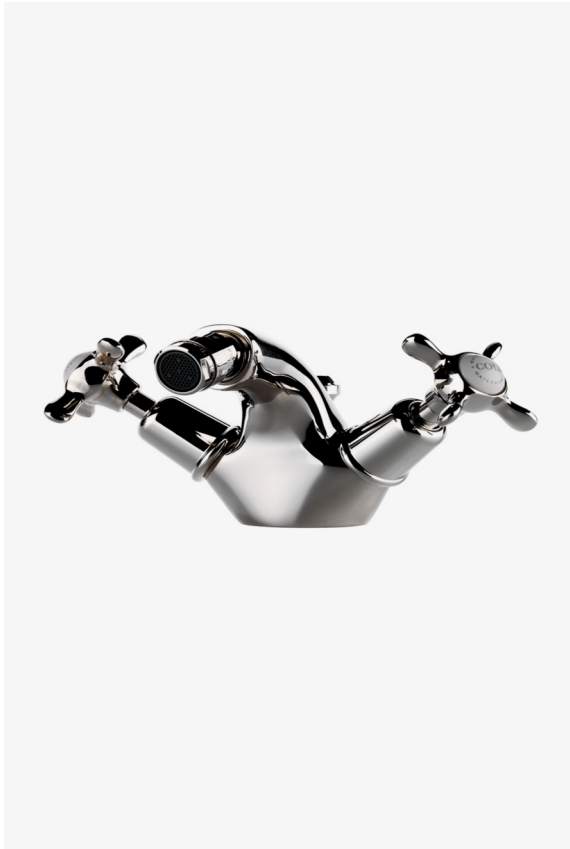


## EASTON

## EA01BF

Easton Classic One Hole Bidet Fitting with Cross Handles



SHOWN IN EASTON CLASSIC ONE HOLE BIDET FITTING WITH CROSS HANDLES| EABF01

### TECHNICAL DETAILS

ADA Compliance: Yes  
Adjustable versus Fixed Spray: Fixed Spray  
Deck Thickness Maximum: 38 mm  
Deck Thickness Minimum: 0 mm  
Drain Assembly Materials: Brass  
Drain Depth Maximum: 44 mm  
Drain Hole Diameter: 44 mm  
Drain Style: Pop-up  
Escutcheon Primary Material: Brass  
Fittings Hole Diameter: 32 mm  
Handle Spread Maximum: 178 mm  
Handle Spread Minimum: 178 mm  
Handle Turn Angle: Quarter Turn  
Index Color / Finish and Material: White Porcelain  
Depth / Width: 102 mm  
Drain Depth Minimum: 35 mm  
Height: 114 mm  
Index Marking: Hot/Cold  
Inlet Connection Size: 3/8"  
Inlet Connection Type: 10mm O.D. Supply Tube  
Installation Type: Deck Mounted  
Length: 216 mm  
Number of Handles: Two  
Number of Holes: One Hole  
Pivot: N  
Primary Material: Brass  
Spout Swivel: Y  
Suggested Application: Bath  
Valve Material: Ceramic  
Water Pressure Maximum: 5.0 bar  
Water Pressure Minimum: 1.5 bar  
Water Pressure Recommended: 3.0 bar

### INSPIRATION

Drawing on Edwardian style, Easton is the most extensive Waterworks family; a range of moods and a selection of products from fittings to furniture.

### CODES & STANDARDS

Code # : Certified with IAPMO & State of MA. Compliant with ASME A112.18.1/CSA B125.1, ASME A112.18.2/CSA B125.2, ANSI A117.1 ADA & ASTM E 1621-05

### PRODUCT FEATURES

Brass metal is used for all trim and valve components.

The manufacturing process encompasses casting, turning, forging, hand-fitting and hand polishing.

Easton is our most comprehensive fittings family.

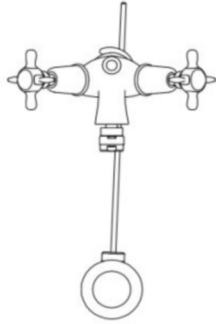
Easton has a clean-lined utilitarian profile, with a slightly elongated spout.

# WATERWORKS

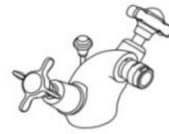
## EASTON

## EA01BF

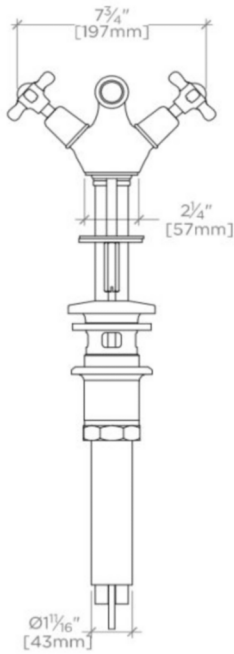
Easton Classic One Hole Bidet Fitting with Cross Handles



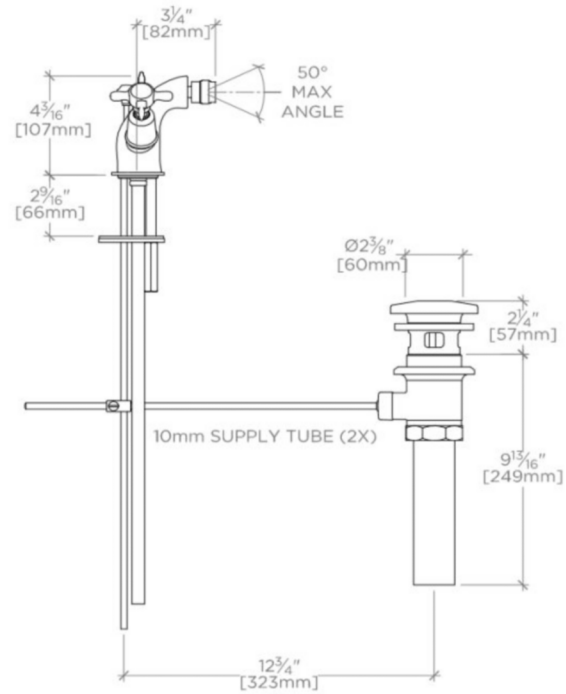
TOP VIEW SCALE: 1 1/2"=1'-0"



ISO VIEW SCALE: 1 1/2"=1'-0"



FRONT VIEW SCALE: 1 1/2"=1'-0"



SIDE VIEW SCALE: 1 1/2"=1'-0"