

AMELIE

Amelie Wall Mounted Tub Spout

AMTS17



SHOWN IN NICKEL

TECHNICAL DETAILS

Adjustable versus Fixed Spray: Fixed Spray
Escutcheon Primary Material: Brass
Fittings Hole Diameter: 1 1/4"
Depth / Width: 12"
Height: 7 7/8"
Inlet Connection Size: 3/4"
Inlet Connection Type: Female NPT
Installation Type: Wall Mounted
Length: 2 3/4"
Primary Material: Brass
Spout Reach: 9 1/4"
Spout Swivel: N
Suggested Application: Bath
Water Pressure Maximum: 85.0 psi
Water Pressure Minimum: 20.0 psi
Water Pressure Recommended: 45.0 psi

INSPIRATION

The ultimate in decorative, luxurious fittings with no apologies for its lack of restraint. Amelie offers curves, moldings and detailing combined to create an over-the-top effect which is luxurious, Old World and elegant.

CODES & STANDARDS

Code # AMTU17: ASME A112.18.1, CSA B125, IAPMO, State of MA

PRODUCT FEATURES

Brass material is used for all trim and valve component parts.
The manufacturing process encompasses casting, turning, forging, hand-fitting and hand polishing.

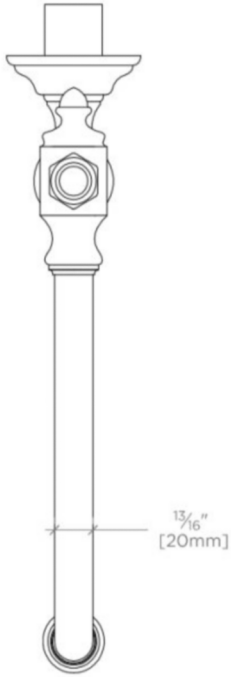
CERTIFICATIONS



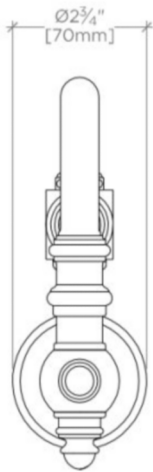
AMELIE

AMTS17

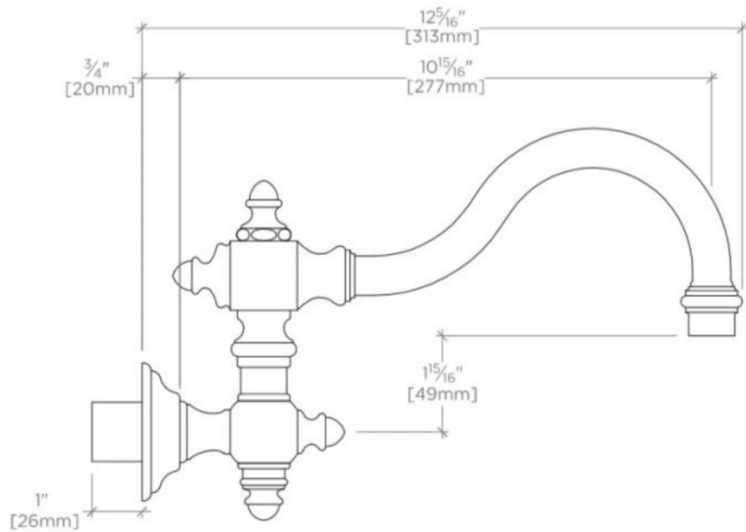
Amelie Wall Mounted Tub Spout



TOP VIEW SCALE: 3"=1'-0"



FRONT VIEW SCALE: 3"=1'-0"



SIDE VIEW SCALE: 3"=1'-0"