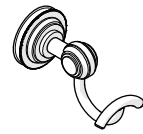
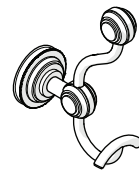


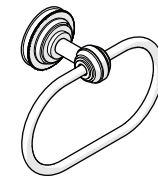
# INSTALLATION GUIDELINES



**STYLE No. AERH01**  
Aero Single Robe Hook



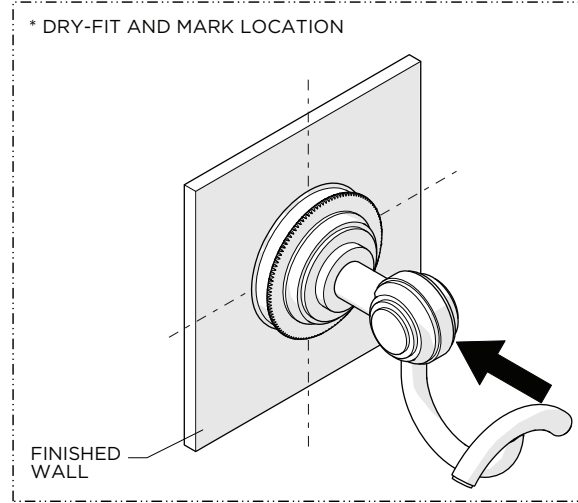
**STYLE No. AERH02**  
Aero Double Robe Hook



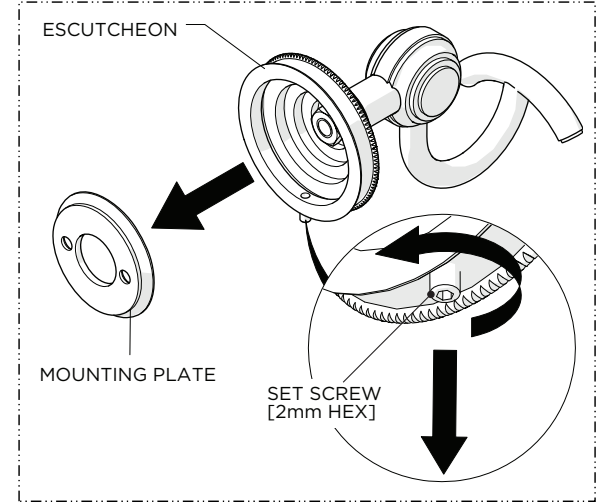
**STYLE No. AETB04**  
Aero Wall Mounted Towel Ring

**IMPORTANT:**

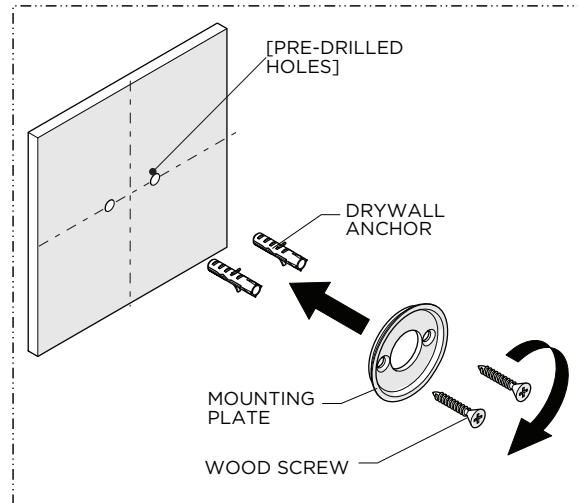
- To ensure this product is installed properly, you must read and follow these guidelines.
- The owner/user of this product must keep this information for further reference.
- This product must be installed by a professional licensed contractor.
- Inspect this product to ensure you have all the parts required for proper installation.
- Use only strap wrench or protected/smooth jaw wrench on any finished surface.
- If further assistance is required, please contact Product Support at 1-800-927-2120 Monday through Friday, 8am - 6pm EST.
- Refer to the separate Service Parts Documents for available replacement parts.



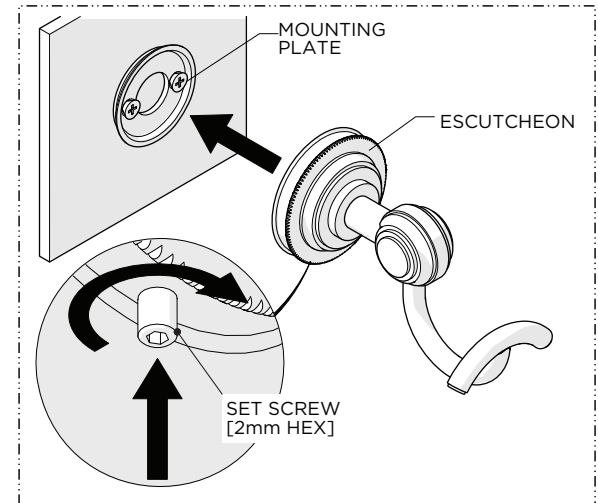
1. Dry-fit the product to the finished wall and mark the ideal location for installation.



2. Loosen, but do **NOT** remove, the SET SCREW on the bottom of ESCUTCHEON using a 2mm HEX KEY and remove the MOUNTING PLATE.



3. Using the previous marks as a reference, install the MOUNTING PLATE using the SCREWS and ANCHORS provided.



4. Place the product over the MOUNTING PLATE and securely tighten the SET SCREW.