

BELVEDERE

BVBT20

Belvedere 70" x 35" x 21" Oval Cast Iron Bathtub with Center Drain



SHOWN IN WHITE

TECHNICAL DETAILS

ADA Compliance: No
Assembly / Configuration: One Piece
Bathing Type: Bathing, Soaking and Showering
Bottom Angle / Pitch: 4.0 degree_angle
Drilling Option: None
Depth / Width: 35"
Height: 21"
Installation Type: Drop In or Undermount
Item Weight (Filled): 1056.0 pounds
Length: 70"
Material / Wall Thickness: 3/8"
Number of Holes: Two Hole
Overflow Opening: Yes
Primary Material: Cast Iron
Single or Double Ended: Double Ended
Suggested Application: Bath

INSPIRATION

Traditional quality and care merges with contemporary design in our Belvedere bathtub.

CODES & STANDARDS

Code # WWBT20: ASME A112.19.1M, CSA B45, State of MA

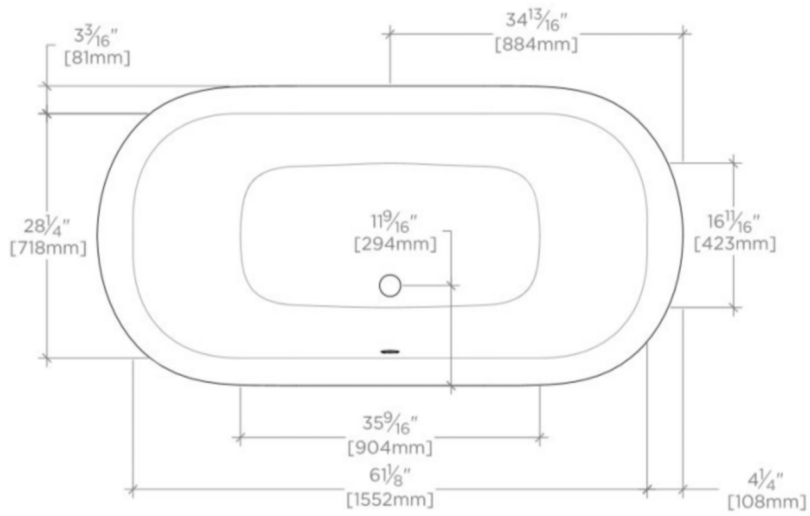
PRODUCT FEATURES

Impeccable Victorian production methods create the dignified shape of this cast iron tub. Architectural details like the comfortable flat lip and unadorned feet articulate the tub's modern aspirations. This tub comes with a slip resistant option.

BELVEDERE

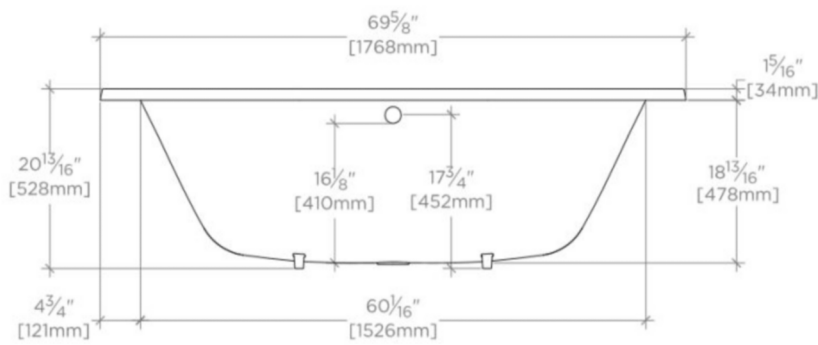
BVBT20

Belvedere 70" x 35" x 21" Oval Cast Iron Bathtub with Center Drain



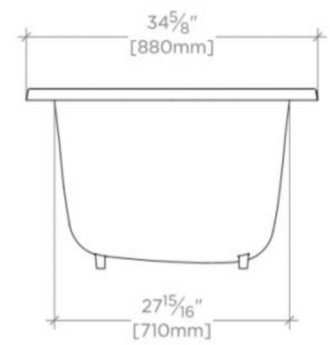
TOP VIEW

SCALE: 1/2"=1'-0"



SIDE VIEW

SCALE: 1/2"=1'-0"



END VIEW

SCALE: 1/2"=1'-0"