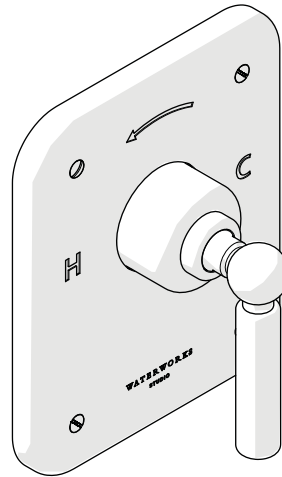


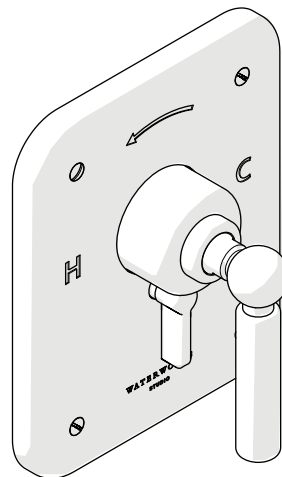
WATERWORKS STUDIO

SERVICE PARTS



STYLE LDPB10

Ludlow Pressure Balance Control Valve Trim with Metal Lever Handles



STYLE LDPB30

Ludlow Pressure Balance with Diverter Trim with Metal Lever Handles

WELCOME TO

WATERWORKS STUDIO

Over thirty years of experience distilled into signature fittings, surfaces, textiles, and accessories. Waterworks Studio is an edited collection of design solutions curated to be concise, engineered to be complete, and crafted for quality.

Everything you need, nothing more.

**TO ORDER PARTS CALL
1 (800) 927-2120 (EXT 2)**

Order by part number and specify color, finish, or other options if required.

PRODUCT SUPPORT

Our Product Support team provides troubleshooting and technical problem resolution, including replacement parts and installation recommendations throughout the life of your product.

Product Support is available Monday through Friday, 8AM-6PM EST.

**LIMITED LIFETIME
WARRANTY**

Our warranty covers repair and replacement of Waterworks products if within the applicable coverage period and deemed defective by Waterworks. Waterworks will, at its option, repair or replace such products; this does not include installation costs, labor charges, or other incidental or consequential costs.

To obtain your complete warranty or inquire about warranty service, please visit us at www.waterworks.com or contact our Product Support Team.

MAIN KITS

104222*

FACEPLATE

104221

MOUNTING
HARDWARE

104227*

FACEPLATE

104223*

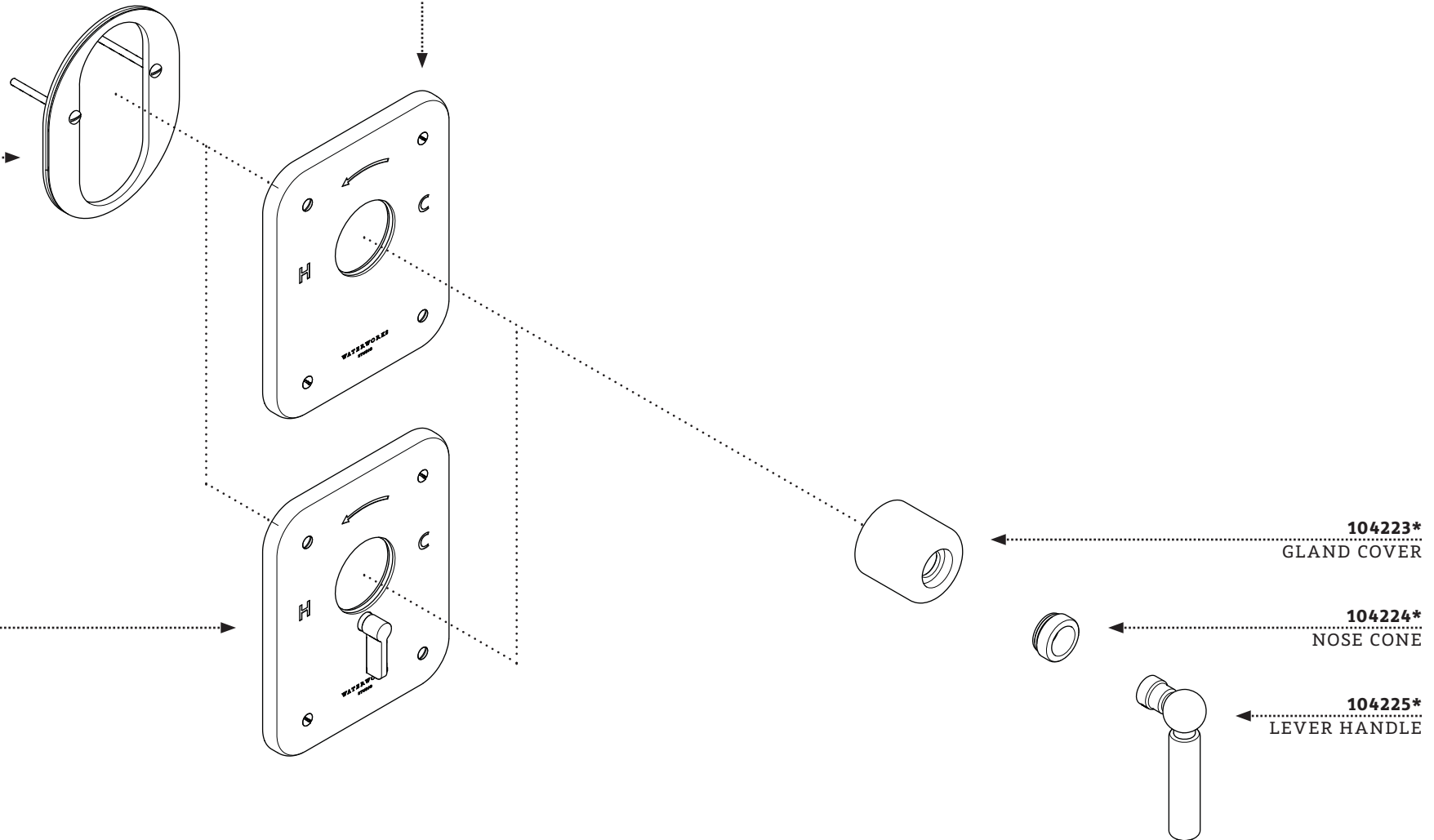
GLAND COVER

104224*

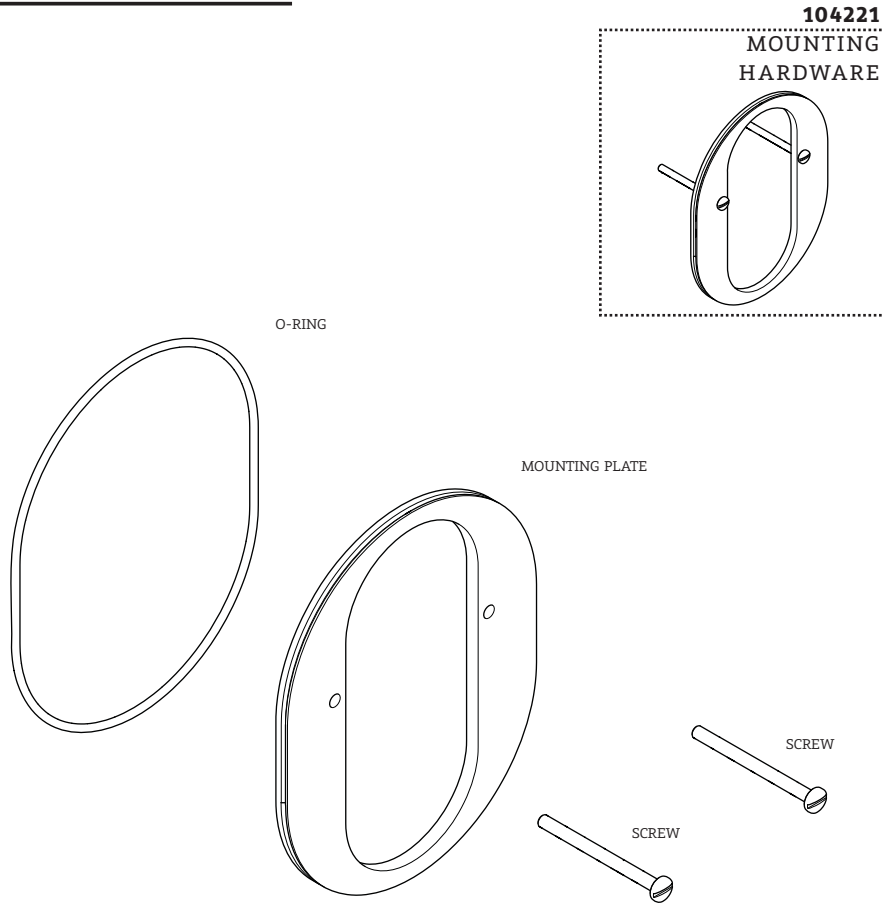
NOSE CONE

104225*

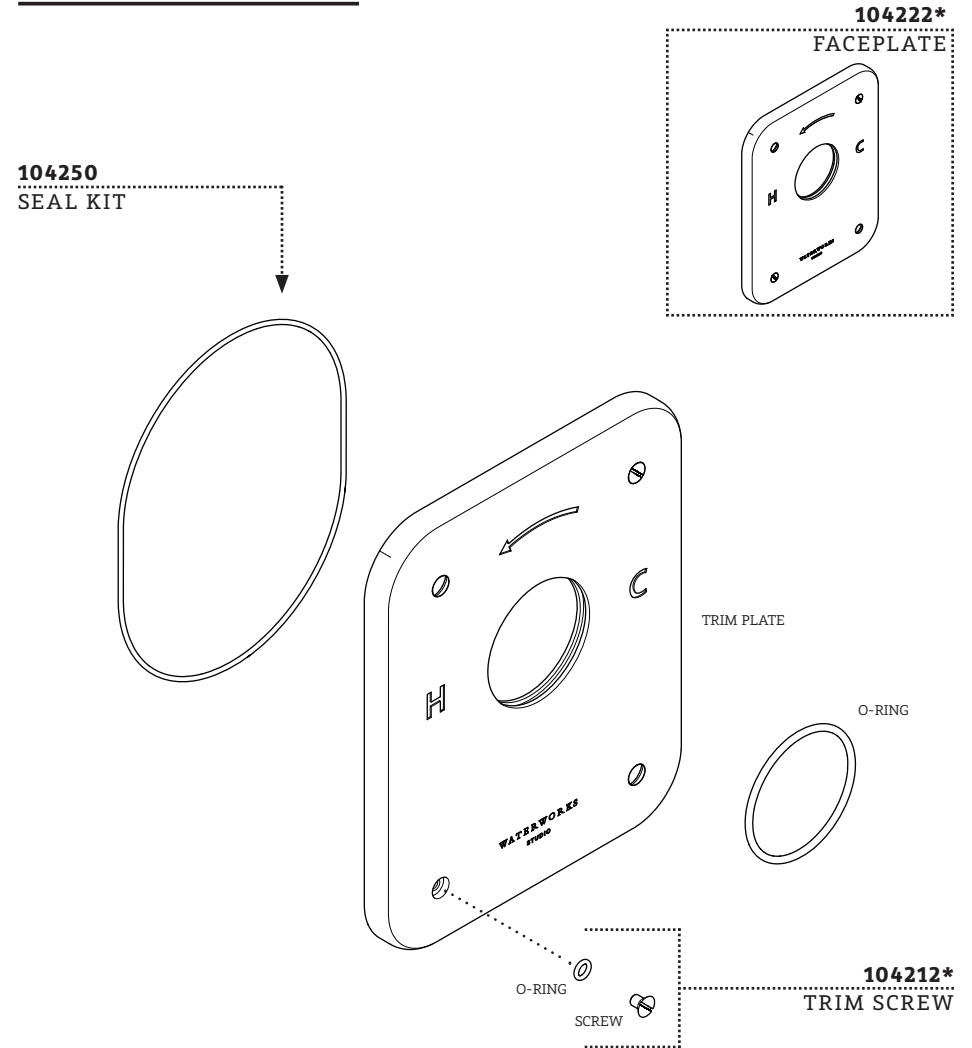
LEVER HANDLE



KIT COMPONENTS

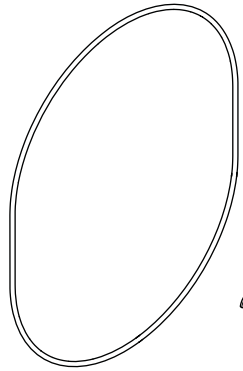


KIT COMPONENTS

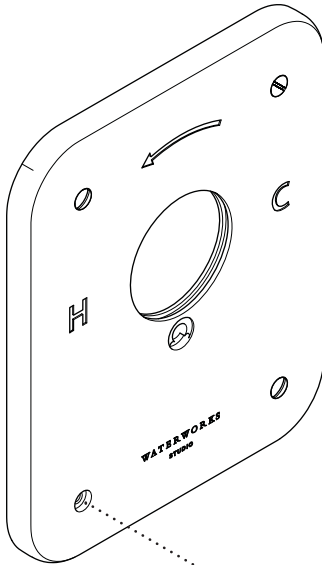


KIT COMPONENTS

104250
SEAL KIT

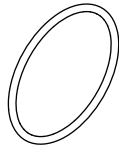


CLIP

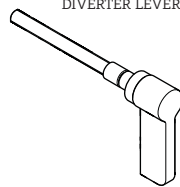


TRIM PLATE

O-RING



DIVERTER LEVER

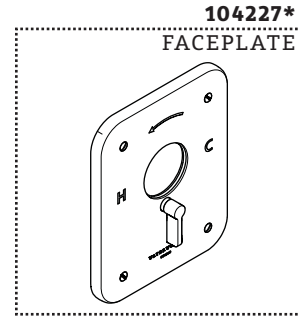


O-RING

SCREW



104212*
TRIM SCREW

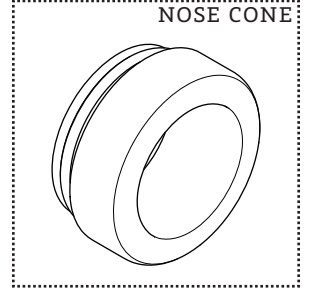


104227*

FACEPLATE

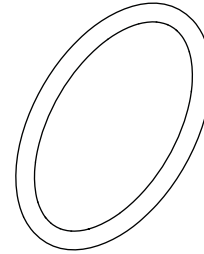
KIT COMPONENTS

104224*

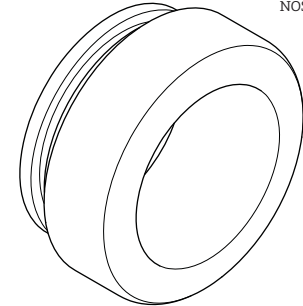


NOSE CONE

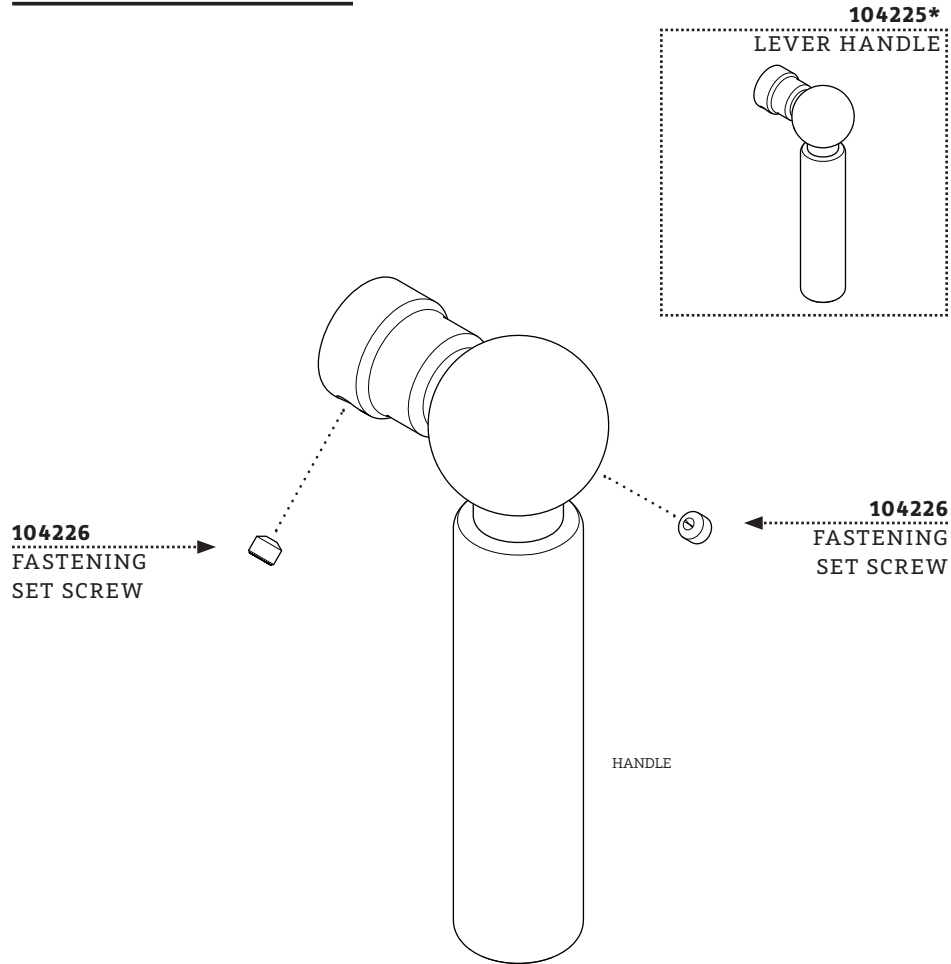
O-RING



NOSE CONE



KIT COMPONENTS



*FINISH/COLOR MUST BE SPECIFIED WHEN ORDERING
++SUPPLIED AS A PAIR

SERVICE PARTS INDEX

<u>STYLE</u>	<u>DESCRIPTION</u>	<u>PG</u>
104222*	FACEPLATE	5
104227*	FACEPLATE	6
104226	FASTENING SET SCREW	8
104223*	GLAND COVER	3
104225*	LEVER HANDLE	8
104221	MOUNTING HARDWARE	4
104224*	NOSE CONE	7
104250	SEAL KIT	6
104212*	TRIM SCREW	6



WATERWORKS
STUDIO

PRODUCT SUPPORT

60 BACKUS AVENUE
DANBURY, CT 06810

1 (800) 927-2120 (EXT 2)

WWW.WATERWORKS.COM/STUDIO