

AMELIE

AMTH70

Amelie Thermostatic Control Valve Trim with Metal Lever Handle



SHOWN IN NICKEL WITH LEVER HANDLE

TECHNICAL DETAILS

ADA Compliance: Yes
Control Valve Rough-in Depth Maximum: 8"
Control Valve Rough-in Depth Minimum: 2 1/4"
Diverter Valve Rough-in Depth Maximum: 3 1/8"
Diverter Valve Rough-in Depth Minimum: 2 3/16"
Escutcheon Primary Material: Brass
Index Color / Finish and Material: White Porcelain
Depth / Width: 4 5/8"
Height: 7"
Index Marking: Waterworks
Integrated Diverter: N
Length: 7"
Number of Handles: One
Primary Material: Brass
Suggested Application: Bath

INSPIRATION

The ultimate in decorative, luxurious fittings with no apologies for its lack of restraint. Amelie offers curves, moldings and detailing combined to create an over-the-top effect which is luxurious, Old World and elegant.

CODES & STANDARDS

Code # AMSV70: ASME A112.18.1, IAPMO, State of MA

PRODUCT FEATURES

Brass material is used for all trim and valve component parts.

The manufacturing process encompasses casting, turning, forging, hand-fitting and hand polishing.

CERTIFICATIONS



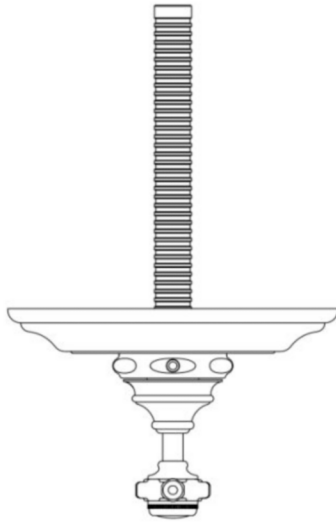
PRODUCT (NOTES)

Valve sold separately.

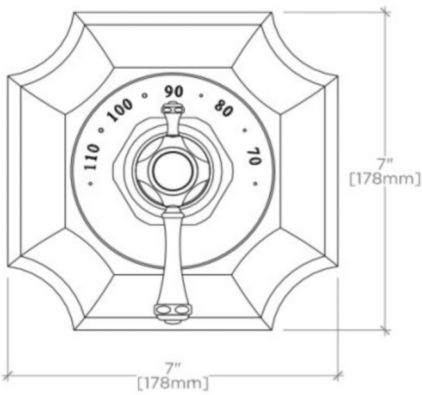
AMELIE

AMTH70

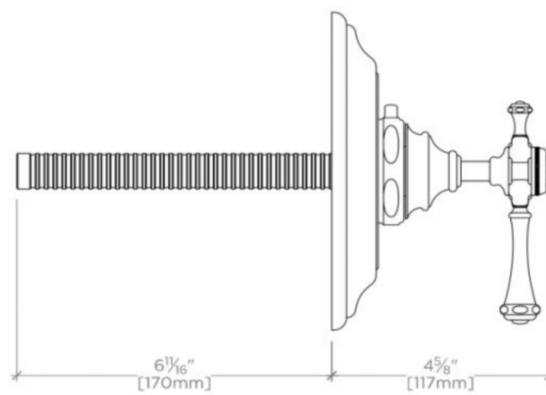
Amelie Thermostatic Control Valve Trim with Metal Lever Handle



TOP VIEW SCALE: 3"=1'-0"



FRONT VIEW SCALE: 3"=1'-0"



SIDE VIEW SCALE: 3"=1'-0"