

# WATERWORKS

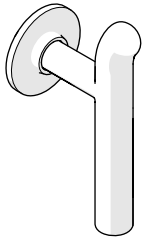
## INSTALLATION GUIDELINES

**STYLE No.** BVC110, BVC12A, BVC12B,  
BVC12C, BVC12D

Bond Volume Control with Lever Handle

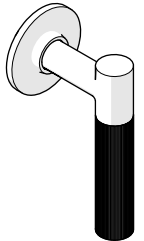
**STYLE No.** BVC130, BVC14A, BVC14B,  
BVC14D, BVC15C

Bond Volume Control with Knob Handle



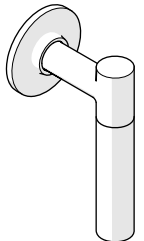
**STYLE No.** BVC110  
Bond Solo Series Volume Control with Lever Handle

- **STYLE No.** BVC100  
Bond Trim Adapter for Wall Mounted Handle
- **STYLE No.** BLH010  
Bond Solo Series Lever Handle



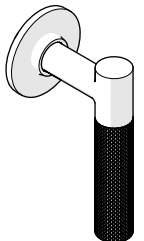
**STYLE No.** BVC12A  
Bond Tandem Series Volume Control with Guilloche Lines Lever Handle

- **STYLE No.** BVC100  
Bond Trim Adapter for Wall Mounted Handle
- **STYLE No.** BLH02A  
Bond Tandem Series Guilloche Lines Lever Handle



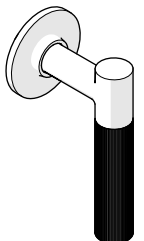
**STYLE No.** BVC12B  
Bond Tandem Series Volume Control with Two-Tone Lever Handle

- **STYLE No.** BVC100  
Bond Trim Adapter for Wall Mounted Handle
- **STYLE No.** BLH02B  
Bond Tandem Series Two-Tone Lever Handle



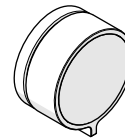
**STYLE No.** BVC12C  
Bond Union Series Volume Control with Guilloche Link Lever Handle

- **STYLE No.** BVC100  
Bond Trim Adapter for Wall Mounted Handle
- **STYLE No.** BLH02C  
Bond Union Series Guilloche Link Lever Handle



**STYLE No.** BVC12D  
Bond Union Series Volume Control with Enamel Guilloche Lines Lever Handle

- **STYLE No.** BVC100  
Bond Trim Adapter for Wall Mounted Handle
- **STYLE No.** BLH02D  
Bond Union Series Enamel Guilloche Lines Lever Handle



**STYLE No.** BVC130  
Bond Solo Series Volume Control with Knob Handle

- **STYLE No.** BVC100  
Bond Trim Adapter for Wall Mounted Handle
- **STYLE No.** BKH030  
Bond Solo Series Knob Handle



**STYLE No.** BVC14A  
Bond Tandem Series Volume Control with Guilloche Lines Knob Handle

- **STYLE No.** BVC100  
Bond Trim Adapter for Wall Mounted Handle
- **STYLE No.** BKH04A  
Bond Tandem Series Guilloche Lines Knob Handle



**STYLE No.** BVC14B  
Bond Tandem Series Volume Control with Two-Tone Guilloche Lines Knob Handle

- **STYLE No.** BVC100  
Bond Trim Adapter for Wall Mounted Handle
- **STYLE No.** BKH04B  
Bond Tandem Series Two-Tone Knob Handle



**STYLE No.** BVC14D  
Bond Union Series Volume Control with Enamel Guilloche Lines Knob Handle

- **STYLE No.** BVC100  
Bond Trim Adapter for Wall Mounted Handle
- **STYLE No.** BVC14A  
Bond Tandem Series Volume Control with Guilloche Lines Knob Handle
- **STYLE No.** BKH00D  
Bond Union Series Enamel Index



**STYLE No.** BVC15C  
Bond Union Series Volume Control with Guilloche Link Knob Handle

- **STYLE No.** BVC100  
Bond Trim Adapter for Wall Mounted Handle
- **STYLE No.** BKH05C  
Bond Union Series Guilloche Link Knob Handle

# WATERWORKS

## INSTALLATION GUIDELINES

STYLE No. BVC110, BVC12A, BVC12B,  
BVC12C, BVC12D

Bond Volume Control with Lever Handle

STYLE No. BVC130, BVC14A, BVC14B,  
BVC14D, BVC15C

Bond Volume Control with Knob Handle

### IMPORTANT:

- To ensure this product is installed properly, you must read and follow these guidelines.
- The owner/user of this product must keep this information for future reference.
- This product must be installed by a professional licensed contractor and must be on-site prior to rough-in. This allows the installer to visualize the installation.
- Be sure your installation conforms to all federal, state, and local codes. In the State of Massachusetts, all installations must comply with the rules and regulations set forth within 248 CMR.
- This product is sold partially assembled but shown fully disassembled for illustrative and service purposes only. Inspect this product to ensure you have all the parts required for proper installation.
- Use only a strap wrench or protected/smooth-jaw wrench on any finished surface.
- The use of certain plumber's putty may stain stone or tile surfaces.
- If further assistance is required, please contact Product Support at 1-800-927-2120 Monday through Friday, 8am - 6pm EST.
- Refer to the separate Service Parts Documents for available replacement parts.

### REQUIRED PLUMBING DETAILS:

- This product is intended to work with a Universal Volume Control Valve (SOLD SEPARATELY).

VALVE	DESCRIPTION
GUVC16	Universal 3/4" Counter-Clockwise Open Volume Control Valve
GUVC17	Universal 3/4" Clockwise Open Volume Control Valve
GUVC18	Universal 1/2" Counter-Clockwise Open Volume Control Valve
GUVC19	Universal 1/2" Clockwise Open Volume Control Valve

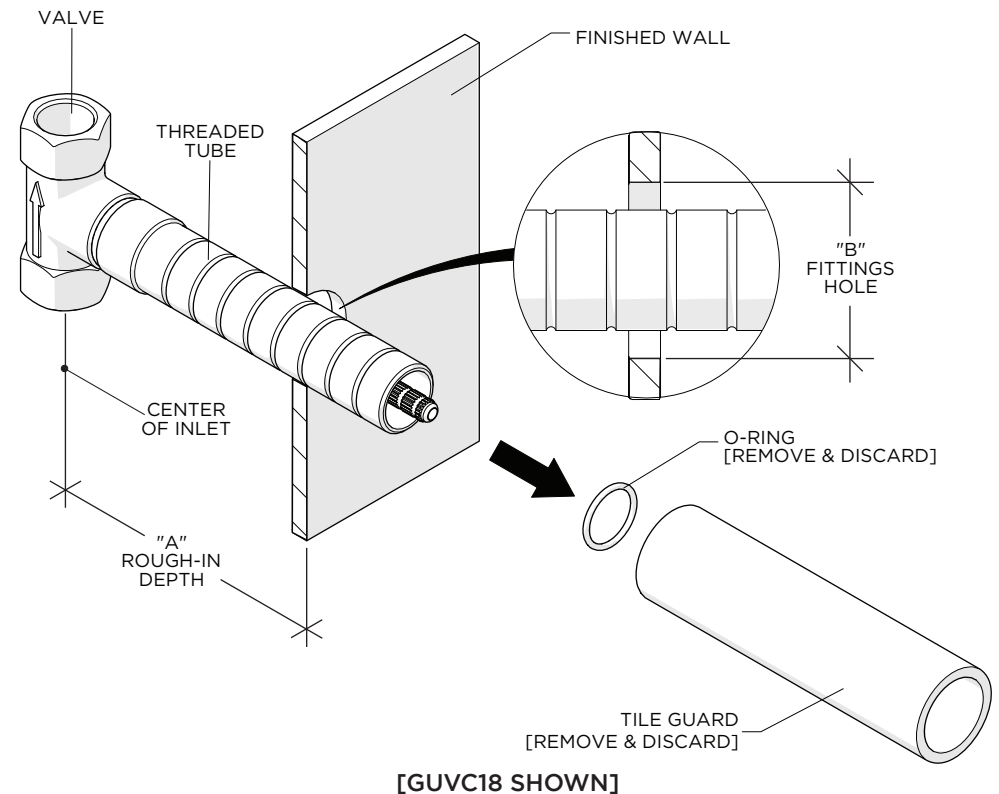
- Volume Control Valves control on/off/volume and MUST BE installed for each fitting that will have water flowing to it.
- Refer to the Installation Guidelines provided with the VALVE for complete rough-in installation details. If using a Volume Control Valve with a Universal Thermostatic Valve (SOLD SEPARATELY), refer to the Installation Guidelines for the Thermostatic Valve which contains related installation information.
- All VALVES and TRIMS sold separately.

### ROUGH-IN AND VALVE PREPARATION:

#### CAUTION:

- If the VALVE is roughed-in too shallow, the TRIM cannot be installed correctly.
- Remove and discard the TILE GUARD and O-RING only when the finished wall surface (TILE or SLAB) is completed and TRIM is ready to install.

DIMENSION	VALVE	VALUE
A	GUVC16, GUVC17	4-3/4" [121mm] <b>MAXIMUM</b> 3" [76mm] <b>MINIMUM</b>
	GUVC18, GUVC19	6-1/4" [159mm] <b>MAXIMUM</b> 2-3/4" [70mm] <b>MINIMUM</b>
B	ALL	Ø1-3/8" [35mm]



# WATERWORKS

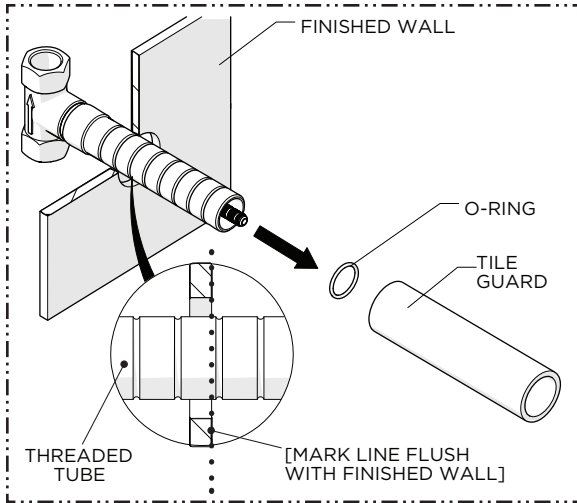
## INSTALLATION GUIDELINES

STYLE No. BVC110, BVC12A, BVC12B,  
BVC12C, BVC12D

Bond Volume Control with Lever Handle

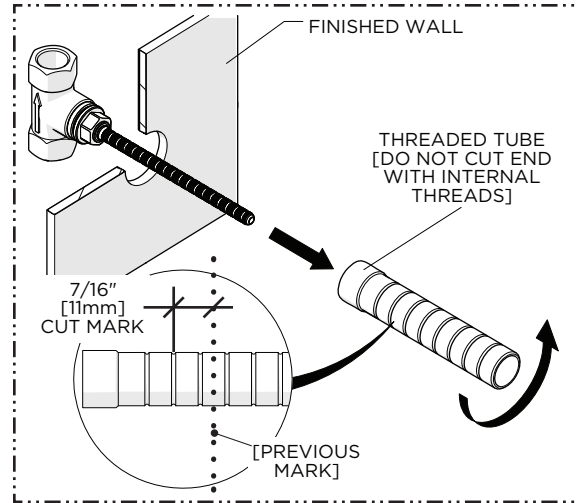
STYLE No. BVC130, BVC14A, BVC14B,  
BVC14D, BVC15C

Bond Volume Control with Knob Handle

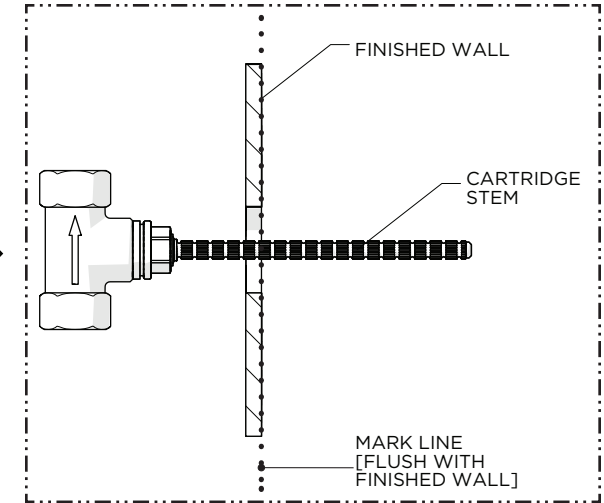


1. Remove the TILE GUARD when ready to install the TRIM then mark the THREADED TUBE where it protrudes past the finished wall.

**NOTE:** A straight edge (not supplied) can be used to mark the TUBE.

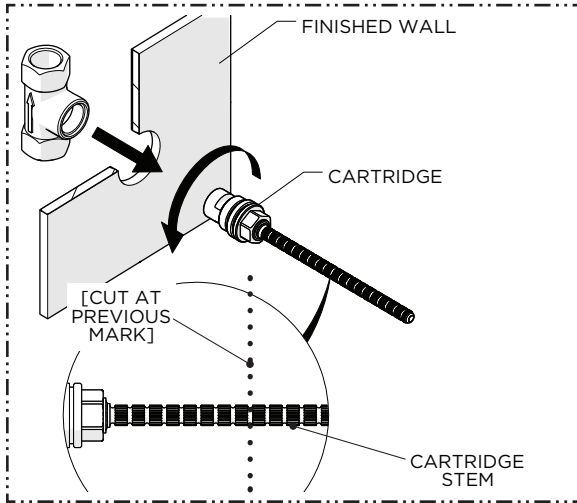


2. Remove the THREADED TUBE then cut it 7/16" [11mm] behind the previous mark.

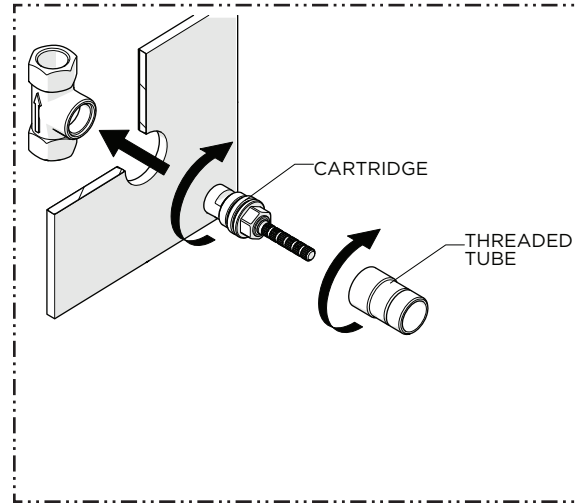


3. Mark the CARTRIDGE STEM where it protrudes past the finished wall.

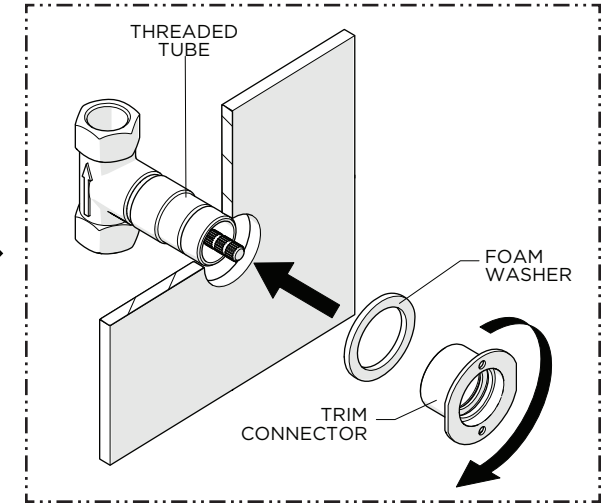
**NOTE:** A straight edge (not supplied) can be used to mark the CARTRIDGE STEM.



4. Remove the CARTRIDGE using a 21/32" [17mm] shower valve socket wrench (not supplied) then cut the CARTRIDGE STEM at the previous mark.



5. Thread and securely tighten the CARTRIDGE back into the VALVE then thread the THREADED TUBE back onto the CARTRIDGE until it stops



6. Using the FOAM WASHER provided, thread the TRIM CONNECTOR onto the THREADED TUBE.

# WATERWORKS

## INSTALLATION GUIDELINES

STYLE No. BVC110, BVC12A, BVC12B,  
BVC12C, BVC12D

STYLE No. BVC130, BVC14A, BVC14B,  
BVC14D, BVC15C

Bond Volume Control with Lever Handle

Bond Volume Control with Knob Handle

### STEPS 7 - 8 KNOB HANDLE INSTALLATION ONLY

7. Remove the INDICE, center SCREW and KNOB HANDLE from the ESCUTCHEON. Do **NOT** remove the internal SPRING.

**NOTE:** To remove the INDICE push down on and rotate it 45° then release.

8. Fully thread the ESCUTCHEON into the TRIM CONNECTOR, place the KNOB HANDLE onto the ESCUTCHEON, thread and securely tighten the SCREW, and re-attach the INDICE.

- Turn on the water supply and operate the HANDLE to ensure it functions properly.

### STEPS 9 - 10 LEVER HANDLE INSTALLATION ONLY

9. **CAREFULLY** slide the ESCUTCHEON up the LEVER HANDLE to expose the UNION NUT then thread the NUT into the TRIM CONNECTOR until it stops.

10. **CAREFULLY** slide the ESCUTCHEON down the LEVER HANDLE to conceal the TRIM CONNECTOR.

- Turn on the water supply and operate the HANDLE to ensure it functions properly.