

BOULEVARD

Boulevard Thermostatic Valve

GU46TH



SHOWN IN BOULEVARD THERMOSTATIC VALVE| GUTH46

TECHNICAL DETAILS

Depth / Width: 127 mm
Height: 216 mm
Inlet Connection Size: 3/4"
Inlet Connection Type: Female G/BSPP
Length: 165 mm
Outlet Connection Size: 3/4"
Outlet Connection Type: Female BSP
Primary Material: Brass
Suggested Application: Bath
Water Pressure Maximum: 5.5 bar
Water Pressure Minimum: 1.5 bar
Water Pressure Recommended: 3.0 bar

INSPIRATION

Inspiration from 1930s objects evokes extravagance: a strong silhouette, lavish scale and elegant decoration. Machine and artisan hands yield crisp details and curves.

PRODUCT FEATURES

Built in Anti-scald protection.

The manufacturing process encompasses casting, turning, forging, hand-fitting and hand polishing.

Solidly sized and generous in scale, decorative elements convey a sense of substance.

Integrated check valves guarantee there is no crossover of hot or cold water.

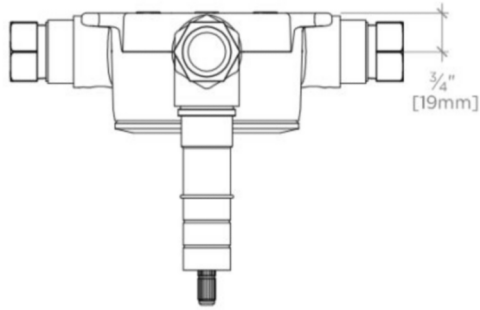
WATERWORKS

BOULEVARD

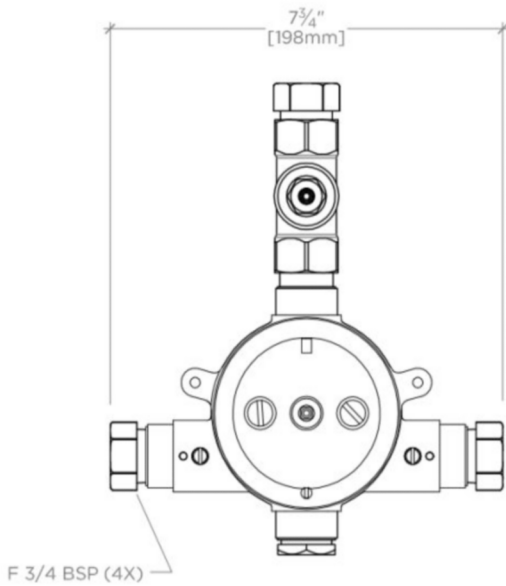
Boulevard Thermostatic Valve

GU46TH

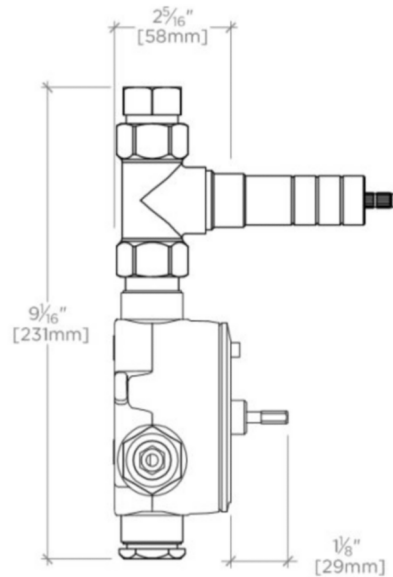
ADAPTER(S) PACKAGED SEPARATELY		
ADAPTER	DESCRIPTION	QTY
UNUK01	$\frac{3}{4}$ " Male NPT x $\frac{3}{4}$ " Female BSP	4



TOP VIEW SCALE: 3"=1'-0"



FRONT VIEW SCALE: 3"=1'-0"



SIDE VIEW SCALE: 3"=1'-0"