

HIGHGATE

HGSP11

Highgate Pressure Balance Shower Package with 5" Shower Rose, Handshower and Diverter Lever Handle



SHOWN IN HIGHGATE PRESSURE BALANCE SHOWER PACKAGE WITH 5" SHOWER ROSE, HANDSHOWER AND DIVERTER

TECHNICAL DETAILS

Suggested Application: Bath
Water Pressure Maximum: 85.0 psi
Water Pressure Minimum: 20.0 psi
Water Pressure Recommended: 45.0 psi

INSPIRATION

Our take on old English style: simple, functional shapes, detailed with white porcelain indices and hexagonal accents for a timeless feel.

CODES & STANDARDS

See individual component styles for Code Compliance. HGSH01, UNSH32, HGPB10, GUPB81, HGHS01, UN2PG1, GUDV23, HGVC50

PRODUCT FEATURES

This shower package is composed of the following product styles: HGSH01, UNSH32, HGPB10, GUPB81, HGHS01, UN2PG1, GUDV23, HGVC50

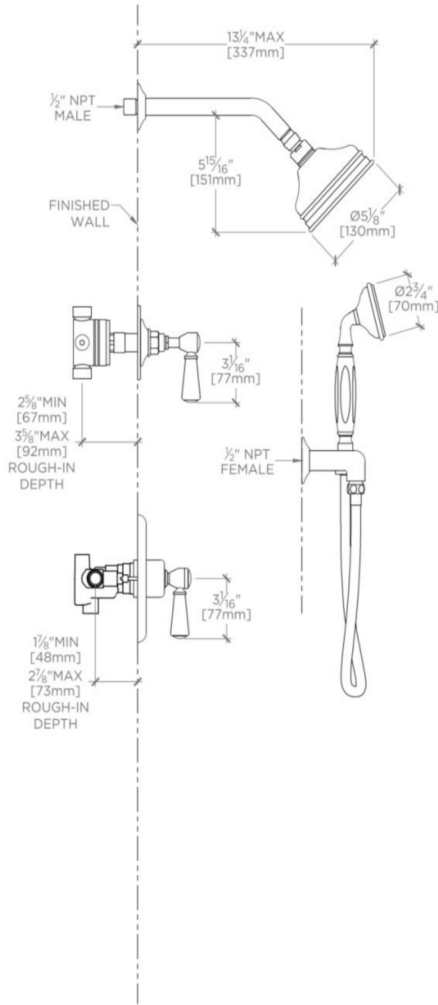


WATERWORKS

HIGHGATE

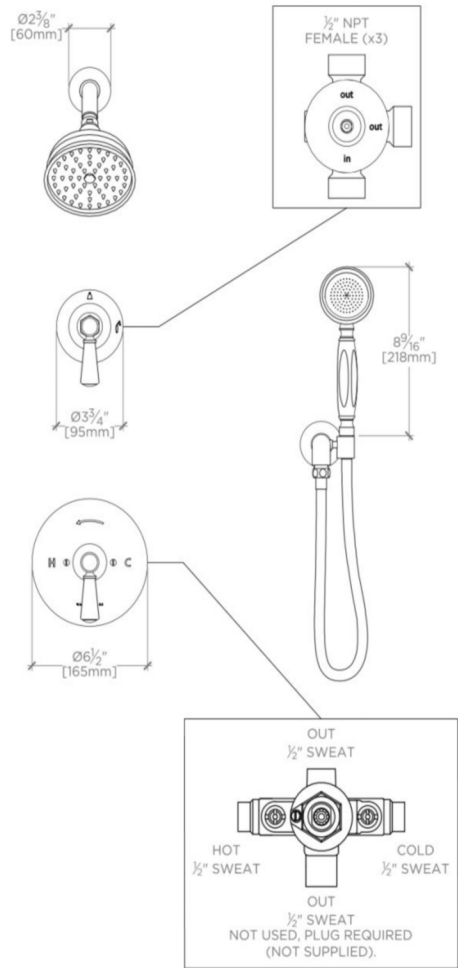
HGSP11

Highgate Pressure Balance Shower Package with 5" Shower Rose, Handshower and Diverter Lever Handle



HGSP11 SIDE VIEW

THIS DRAWING IS NOT INTENDED FOR USE AS A PIPING SCHEMATIC



HGSP11 FRONT VIEW