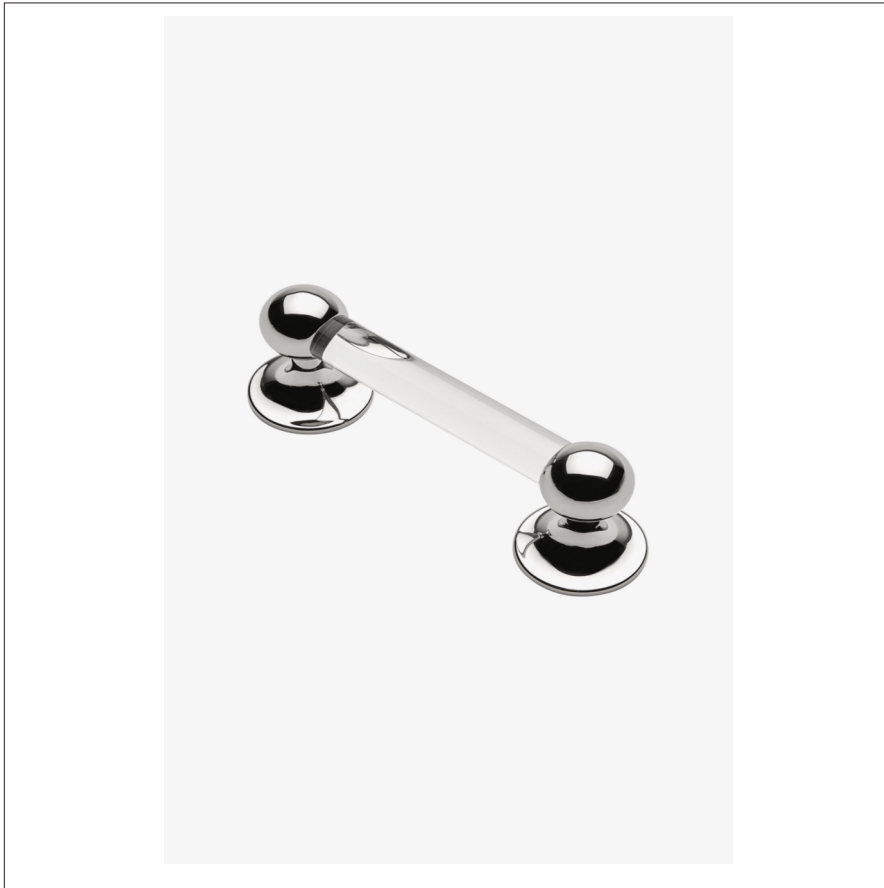


HIGHGATE

Highgate 4" Pull

HGHW04



SHOWN IN HIGHGATE 4" PULL| HGHW04

TECHNICAL DETAILS

Escutcheon Primary Material: Brass

INSPIRATION

Our take on old English style: simple, functional shapes, detailed with white porcelain indices and hexagonal accents for a timeless feel.

PRODUCT FEATURES

Specify for cabinetry or vanities

Pair with Waterworks extensive line of Highgate fittings and faucets

Solid brass and acrylic

Includes per fixing: 8-32 Truss Head Machine Screw-Combo-Slotted

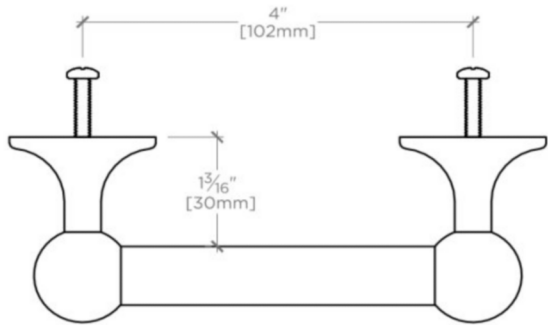
WATERWORKS

HIGHGATE

Highgate 4" Pull

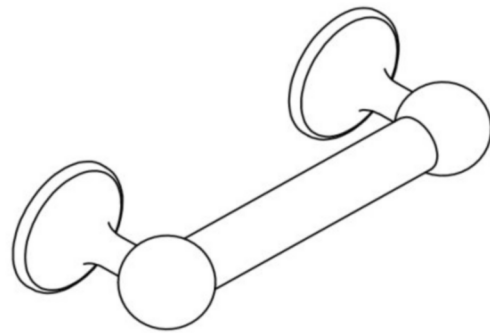
HGHW04

MOUNTING HARDWARE INCLUDED		
STYLE #	DESCRIPTION	QTY
998945	Service Parts 8-32 1" Truss Head Machine Screw, Combo, Slotted	1
998946	Service Parts 8-32 1 1/2" Truss Head Machine Screw, Combo, Slotted	1



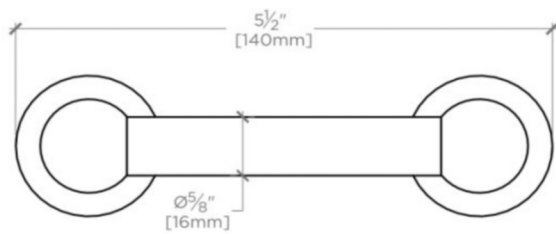
TOP VIEW

SCALE: 6"=1'-0"



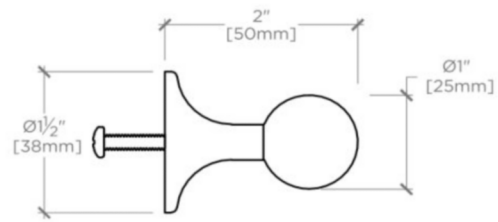
ISO VIEW

SCALE: 6"=1'-0"



FRONT VIEW

SCALE: 6"=1'-0"



SIDE VIEW

SCALE: 6"=1'-0"