



ESTB. 1978

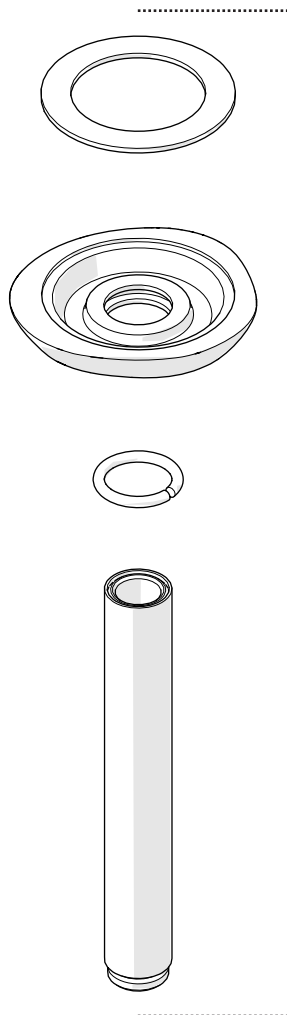
WATERWORKS

**SERVICE PARTS**

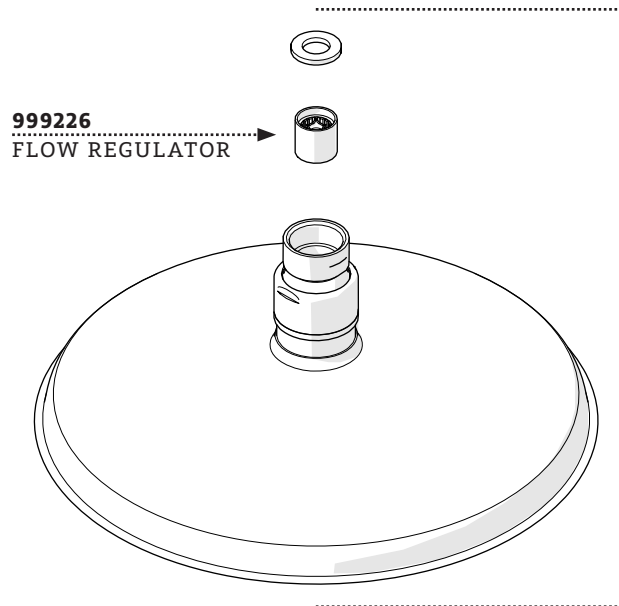
**STYLES: ISSH10**

\*FINISH/COLOR MUST BE SPECIFIED WHEN ORDERING  
++SUPPLIED AS A PAIR

DOCUMENT: SPIS09\_REV01



**ISU010\***  
SHOWER ARM



**999226**  
FLOW REGULATOR

**103752\***  
SHOWERHEAD