

CALAIS

Calais One Hole Gooseneck Kitchen Faucet, White Porcelain Lever Handles

CSKM40



SHOWN IN CALAIS ONE HOLE GOOSENECK KITCHEN FAUCET, WHITE PORCELAIN LEVER HANDLES| CSKM40

TECHNICAL DETAILS

ADA Compliance: Yes
Adjustable versus Fixed Spray: pending
Deck Thickness Maximum: 1 1/4"
Deck Thickness Minimum: 0"
Fittings Hole Diameter: 1 1/4"
Flow Restriction Options: 1.5, 1.0
Handle Spread Maximum: 5 1/8"
Handle Spread Minimum: 5 1/8"
Depth / Width: 9 3/8"
Height: 12 1/2"
Inlet Connection Size: 3/8"
Inlet Connection Type: Straight Female Threads
Inlet Supply Spread Maximum: 5/8"
Inlet Supply Spread Minimum: 5/8"
Length: 6 1/2"
Primary Material: Brass
Restricted Maximum Flow Rate: 2.2 gpm
Spout Swivel: Y
Spray Included in Unit: N
Suggested Application: Bar, Kitchen, Laundry
Valve Material: Ceramic
Water Pressure Maximum: 85.0 psi
Water Pressure Minimum: 20.0 psi
Water Pressure Recommended: 45.0 psi

INSPIRATION

The rich finishes of our Calais collection make these uniquely styled fittings an attraction in any kitchen or bar.

CODES & STANDARDS

Code # CAKM40: ASME A112.18.1 / CSA B125.1, NSF, IAPMO, CEC, State of MA

PRODUCT FEATURES

Uniquely styled traditional one hole mixer for kitchen and bar application

Calais has a signature 'T' shaped body with workhorse lever handles that are adorned with finials at the tip of the lever.

Brass material is used for all trim and valve component parts.

The manufacturing process encompasses casting, turning, hand-fitting and hand polishing.

Standard flow rate is 2.2gpm (8.3 L/min) and State of California requires a maximum of 1.8gpm(6.8 L/min). Also

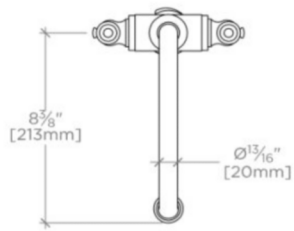
CERTIFICATIONS



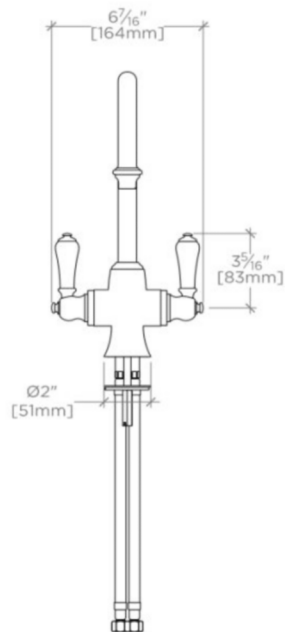
CALAIS

CSKM40

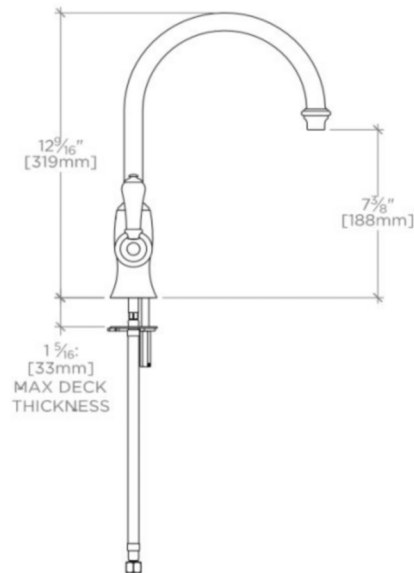
Calais One Hole Gooseneck Kitchen Faucet, White Porcelain Lever Handles



TOP VIEW SCALE: $1\frac{1}{2}"=1'-0"$



FRONT VIEW SCALE: $1\frac{1}{2}"=1'-0"$



SIDE VIEW SCALE: $1\frac{1}{2}"=1'-0"$